

Kitchen sink - Tara.

Three-hole mixer - platinum matt

Article number: 20 815 892-06

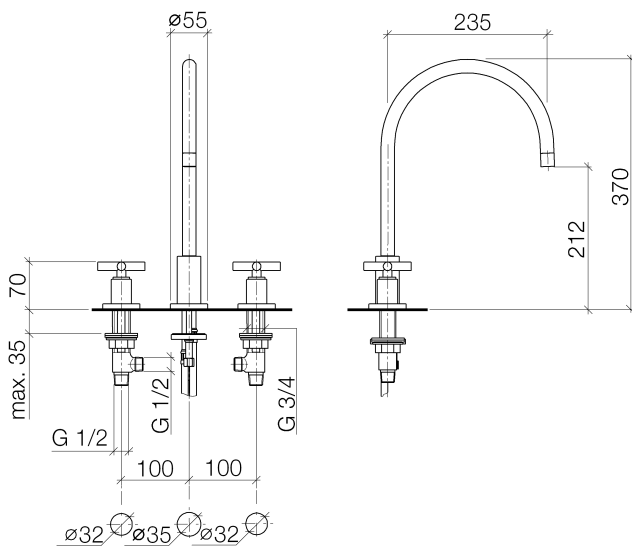


- 235 mm projection
- pivotable spout 360°
- air-enriched flow
- height of mixer 370 mm
- height up to aerator 212 mm
- hole diameter spout 35 mm
- hole diameter valve 32 mm
- max. flow 7 l/min at 3 bar flow pressure
- lead-free
- Fittings group as per DIN 4109: 1



platinum matt

Dimensional drawing



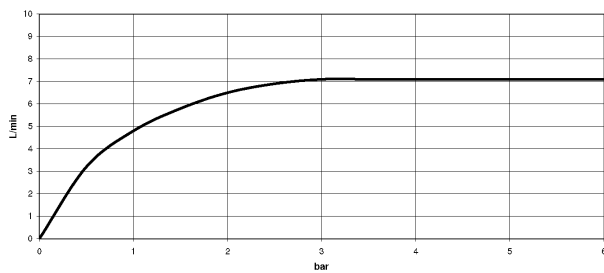
All details in mm / inch = mm x 0.0394

Kitchen sink - Tara.

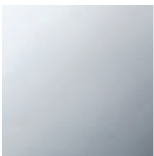
Three-hole mixer - platinum matt

Article number: 20 815 892-06

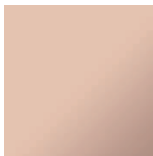
Flow rate chart



Other finish variants



polished chrome
20 815 892-00



Cyprum
20 815 892-49

Other finishes on request (x-tra Service)