

Shower - Tara.Logic

Hand shower set for bath rim or tile edge installation - polished chrome

Article number: 27 702 979-00

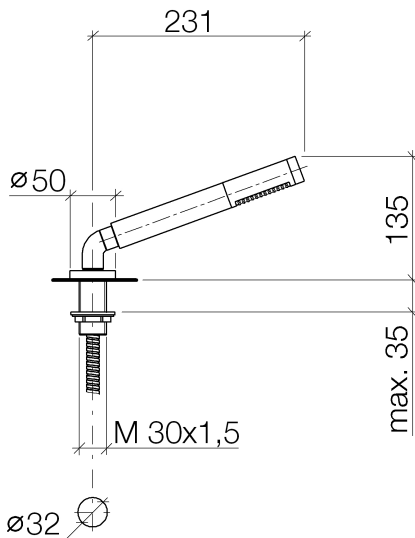


- normal flow
- with anti-scale system
- rosette Ø 50 mm
- hole diameter 32 mm
- metal shower hose 1750mm with integrated anti-twist protection
- max. flow 6.8 l/min
- Two-piece design allows hose to later be changed without dismantling the fitting.
- Intrinsic protection against back flow.



polished chrome

Dimensional drawing



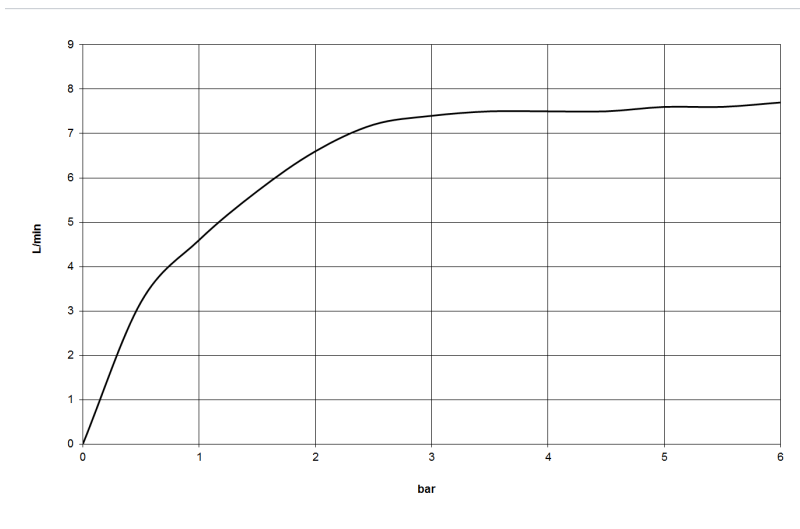
All details in mm / inch = mm x 0.0394

Shower - Tara.Logic

Hand shower set for bath rim or tile edge installation - polished chrome

Article number: 27 702 979-00

Flow rate chart



Other finish variants



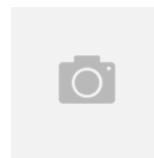
platinum matt
27 702 979-06



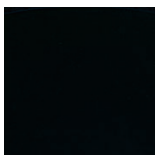
platinum
27 702 979-08



Durabrass
27 702 979-09



27 702 979-13



matt black
27 702 979-33



Cyprum
27 702 979-49



27 702 979-xx

Other finishes on request (x-tra Service)