

Washbasin - LULU

Three-hole basin mixer with pop-up waste - polished chrome

Article number: 20 713 710-00

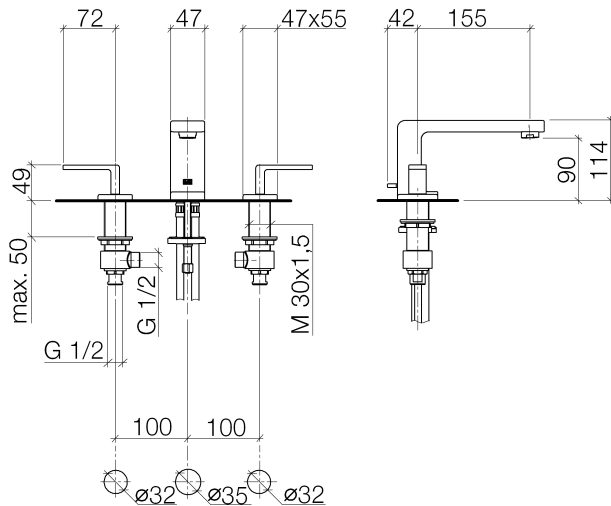


- 155 mm projection
- fixed spout
- circular, air-enriched flow
- height of mixer 114 mm
- height up to aerator 90 mm
- hole diameter valve 32 mm
- hole diameter spout 35 mm
- rosette 47 x 55 mm
- 2x screw-in M 8 x 1 pressure hose, leak-tested
- max. flow 7 l/min
- lead-free
- Fittings group as per DIN 4109: 1
- Only suitable for basins with an overflow.



polished chrome

Dimensional drawing



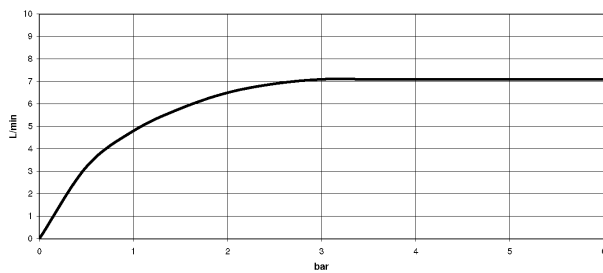
All details in mm / inch = mm x 0.0394

Washbasin - LULU

Three-hole basin mixer with pop-up waste - polished chrome

Article number: 20 713 710-00

Flow rate chart



Other finish variants



platinum matt

20 713 710-06

Other finishes on request (x-tra Service)



Washbasin - LULU

Three-hole basin mixer with pop-up waste - polished chrome

Article number: 20 713 710-00

Recommended miscellaneous



12 506 970 90

High pressure hoses -