

WC - Madison

Tissue holder without cover - polished chrome

Article number: 83 500 361-00

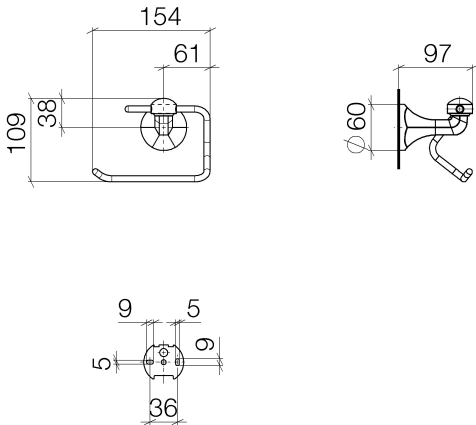


- width 145mm
- height 120 mm
- 95 mm projection



polished chrome

Dimensional drawing



All details in mm / inch = mm x 0.0394



WC - Madison

Tissue holder without cover - polished chrome

Article number: 83 500 361-00

Other finish variants



platinum matt
83 500 361-06



platinum
83 500 361-08



Durabrass
83 500 361-09

Other finishes on request (x-tra Service)