

Bath - Madison

Two-hole bath mixer for free-standing assembly with hand shower set - Durabron

Article number: 25 943 360-09



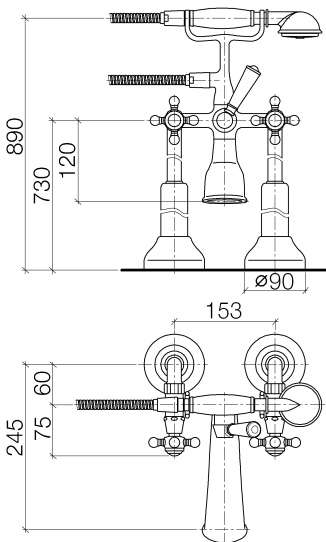
- 245 mm projection
- spout: rectangular normal flow
- hand shower: normal flow
- hand shower with anti-scale system
- rotary diverter for bath/shower
- wall bracket
- total height 901 mm
- stand pipes height 730 mm
- height up to aerator 610 mm
- slide-on rosettes Ø 90 mm
- gauge 153 mm
- metal shower hose 1250mm with integrated anti-twist protection
- max. flow 51 l/min at 3 bar flow pressure
- max. hand shower flow 6.8 l/min
- Intrinsic protection against back flow.



Durabron

Miscellaneous items are required for this article.

Dimensional drawing



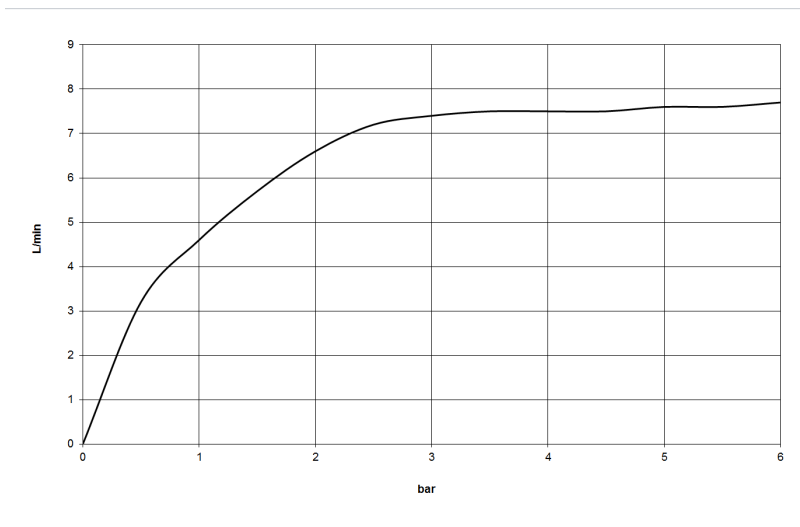
All details in mm / inch = mm x 0.0394

Bath - Madison

Two-hole bath mixer for free-standing assembly with hand shower set - Durabrass

Article number: 25 943 360-09

Flow rate chart



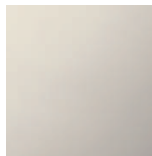
Other finish variants



polished chrome
25 943 360-00



platinum matt
25 943 360-06



platinum
25 943 360-08

Other finishes on request (x-tra Service)



Bath - Madison

Two-hole bath mixer for free-standing assembly with hand shower set - Durabrass

Article number: 25 943 360-09

Required miscellaneous



35 944 970 90

Concealed floor mounting -