

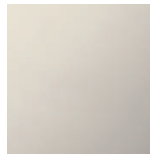
Washbasin - MEM

Three-hole basin mixer with pop-up waste - platinum

Article number: 20 713 782-08

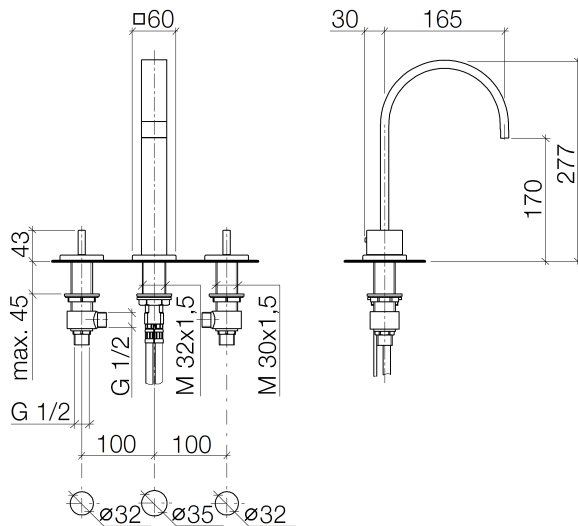


- 165 mm projection
- fixed spout
- rectangular, air-enriched flow
- height of mixer 277 mm
- height up to aerator 170 mm
- hole diameter spout 35 mm
- deck valve hole diameter 32 mm
- rosette 60 x 60 mm
- 2x screw-in M 10 x 1 pressure hose, leak-tested
- max. flow 8.3 l/min
- lead-free
- Only suitable for basins with an overflow.



platinum

Dimensional drawing



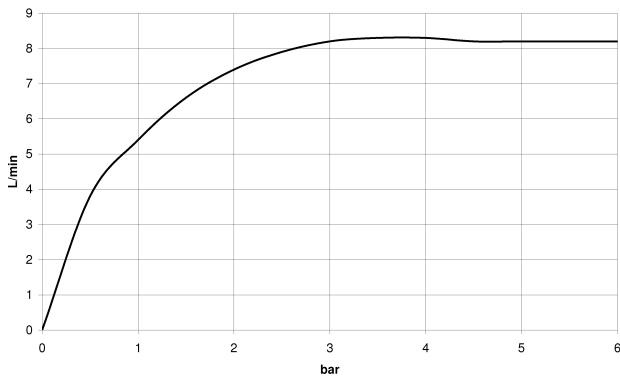
All details in mm / inch = mm x 0.0394

Washbasin - MEM

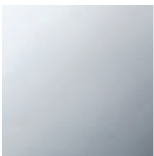
Three-hole basin mixer with pop-up waste - platinum

Article number: 20 713 782-08

Flow rate chart



Other finish variants



polished chrome
20 713 782-00



platinum matt
20 713 782-06



Cyprum
20 713 782-49

Other finishes on request (x-tra Service)



Washbasin - MEM

Three-hole basin mixer with pop-up waste - platinum

Article number: 20 713 782-08

Recommended miscellaneous



12 506 970 90

High pressure hoses -