

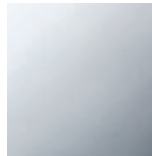
Bath - MEM

Bath shower set for bath rim or tile edge installation - polished chrome

Article number: 27 532 782-00

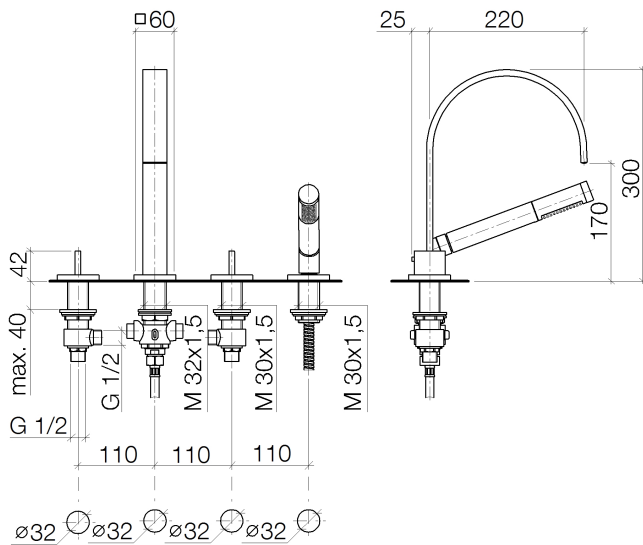


- 220 mm projection
- complete hand shower set: normal flow
- spout: rectangular normal flow
- complete hand shower set with anti-scale system
- automatic bath/shower diverter
- height of mixer 300 mm
- height up to aerator 170 mm
- hole diameter valve 32 mm
- hole diameter spout 32 mm
- hole diameter for complete hand shower set 32 mm
- rosette for spout 60 x 60mm
- rosette for complete hand shower set 60 x 60mm
- rosette for deck valve 60 x 60mm
- metal shower hose 1750mm with integrated anti-twist protection
- max. flow 27.3 l/min at 3 bar flow pressure
- max. flow for complete hand shower set 6.8 l/min
- Fittings group as per DIN 4109: 1
- Intrinsic protection against back flow.



polished chrome

Dimensional drawing



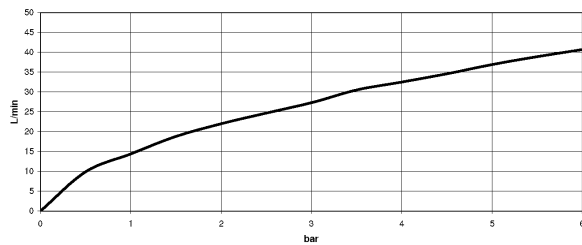
All details in mm / inch = mm x 0.0394

Bath - MEM

Bath shower set for bath rim or tile edge installation - polished chrome

Article number: 27 532 782-00

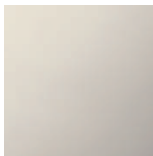
Flow rate chart



Other finish variants



platinum matt
27 532 782-06



platinum
27 532 782-08



Cyprum
27 532 782-49

Other finishes on request (x-tra Service)



Bath - MEM

Bath shower set for bath rim or tile edge installation - polished chrome

Article number: 27 532 782-00

Recommended miscellaneous



12 614 970 90

Perfecto installation kit -



12 801 970-00

Decorative caps for Perfecto -
polished chrome