

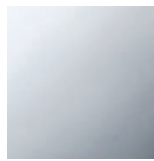
Bath - MEM

bath spout without diverter for free-standing assembly - polished chrome

Article number: 13 672 780-00



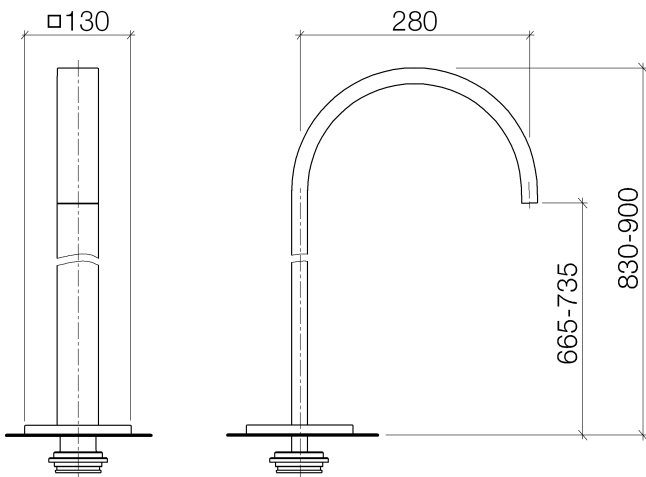
- 280 mm projection
- cascade
- total height 830 - 900 mm
- height up to aerator 665 – 735 mm
- push-on rosette 130 x 130 mm
- max. flow 47.8 l/min at 3 bar flow pressure
- Fittings group as per DIN 4109: 1



polished chrome

Miscellaneous items are required for this article.

Dimensional drawing



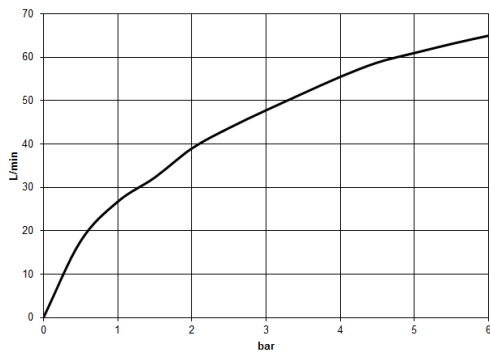
All details in mm / inch = mm x 0.0394

Bath - MEM

bath spout without diverter for free-standing assembly - polished chrome

Article number: 13 672 780-00

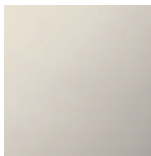
Flow rate chart



Other finish variants



platinum matt
13 672 780-06



platinum
13 672 780-08



Cyprum
13 672 780-49

Other finishes on request (x-tra Service)



Bath - MEM

bath spout without diverter for free-standing assembly - polished chrome

Article number: 13 672 780-00

Required miscellaneous



35 945 970 90

Concealed floor mounting -