

Washbasin - MEM

Single-lever basin mixer with pop-up waste - platinum

Article number: 33 500 782-08

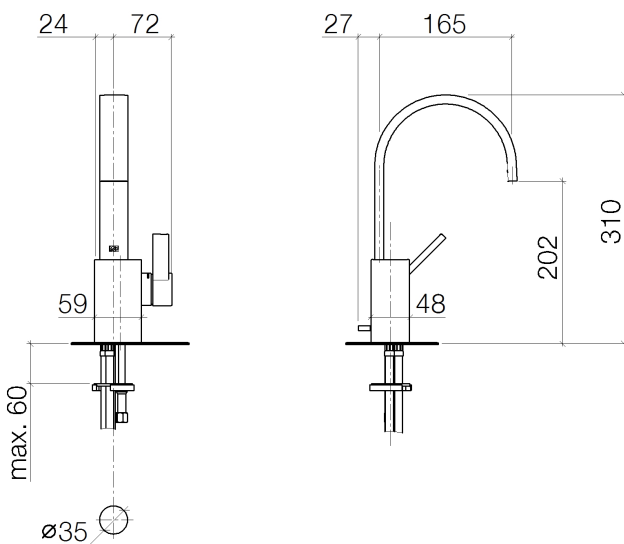


- 165 mm projection
- fixed spout
- rectangular, air-enriched flow
- height of mixer 310 mm
- height up to aerator 202 mm
- hole diameter 35 mm
- 2x screw-in M 10 x 1 pressure hose, leak-tested
- max. flow 5.7 l/min
- lead-free
- Fittings group as per DIN 4109: 1
- Only suitable for basins with an overflow.



platinum

Dimensional drawing



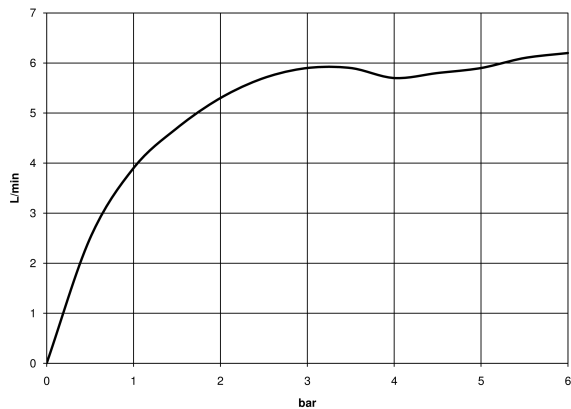
All details in mm / inch = mm x 0.0394

Washbasin - MEM

Single-lever basin mixer with pop-up waste - platinum

Article number: 33 500 782-08

Flow rate chart



Other finish variants



polished chrome
33 500 782-00



platinum matt
33 500 782-06



Cyprum
33 500 782-49

Other finishes on request (x-tra Service)