

Washbasin - MEM

Single-lever basin mixer with pop-up waste - platinum

Article number: 33 501 782-08

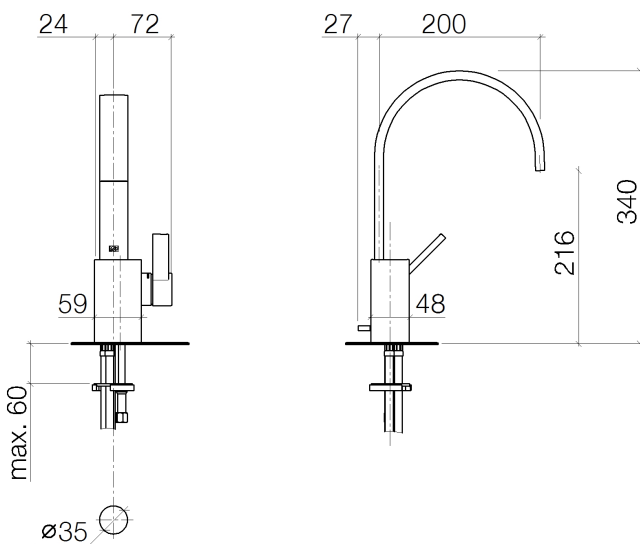


- 200 mm projection
- fixed spout
- rectangular, air-enriched flow
- height of mixer 340 mm
- height up to aerator 216 mm
- hole diameter 35 mm
- 2x screw-in M 10 x 1 pressure hose, leak-tested
- max. flow 5.7 l/min
- lead-free
- Fittings group as per DIN 4109: 1
- Only suitable for basins with an overflow.



platinum

Dimensional drawing



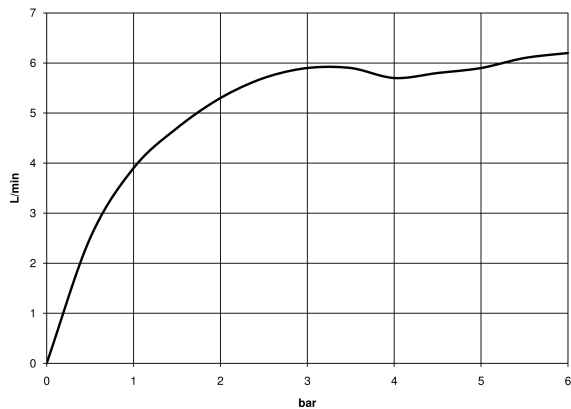
All details in mm / inch = mm x 0.0394

## Washbasin - MEM

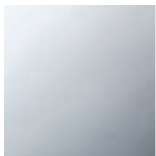
Single-lever basin mixer with pop-up waste - platinum

Article number: 33 501 782-08

### Flow rate chart



### Other finish variants



polished chrome  
33 501 782-00



platinum matt  
33 501 782-06



Cyprum  
33 501 782-49

Other finishes on request (x-tra Service)