

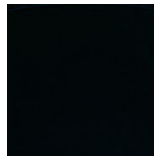
Bath - Tara.

Two-hole bath mixer for free-standing assembly with hand shower set - matt black

Article number: 25 943 892-33



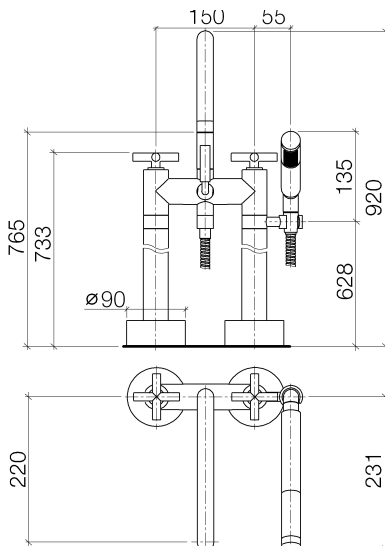
- 220 mm projection
- pivotable spout 180°
- hand shower: normal flow
- spout: circular, air-enriched flow
- hand shower with anti-scale system
- rotary diverter for bath/shower
- total height 920 mm
- stand pipes height 628 mm
- height up to aerator 765 mm
- slide-on rosettes Ø 90 mm
- gauge 150 mm
- metal shower hose 1250mm with integrated anti-twist protection
- pivotable shower holder on the right foot
- max. flow 22 l/min at 3 bar flow pressure
- max. hand shower flow 6.8 l/min
- Fittings group as per DIN 4109: 1
- Optionally for combination with only one additional accessory (or exchange shower bracket for wall bracket).
- Intrinsic protection against back flow.



matt black

Miscellaneous items are required for this article.

Dimensional drawing



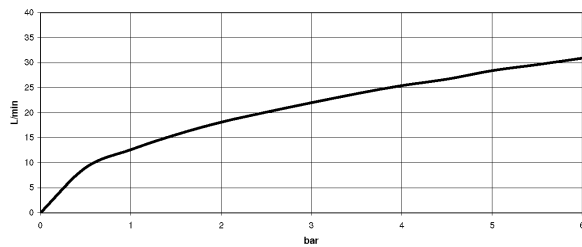
Bath - Tara.

Two-hole bath mixer for free-standing assembly with hand shower set - matt black

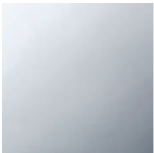
Article number: 25 943 892-33

All details in mm / inch = mm x 0.0394

Flow rate chart



Other finish variants



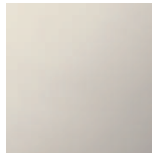
polished chrome

25 943 892-00



platinum matt

25 943 892-06



platinum

25 943 892-08

Other finishes on request (x-tra Service)



Bath - Tara.

Two-hole bath mixer for free-standing assembly with hand shower set - matt black

Article number: 25 943 892-33

Required miscellaneous



35 944 970 90

Concealed floor mounting -