

Bath - Tara.

Bath shower set for bath rim or tile edge installation - matt black

Article number: 27 512 892-33

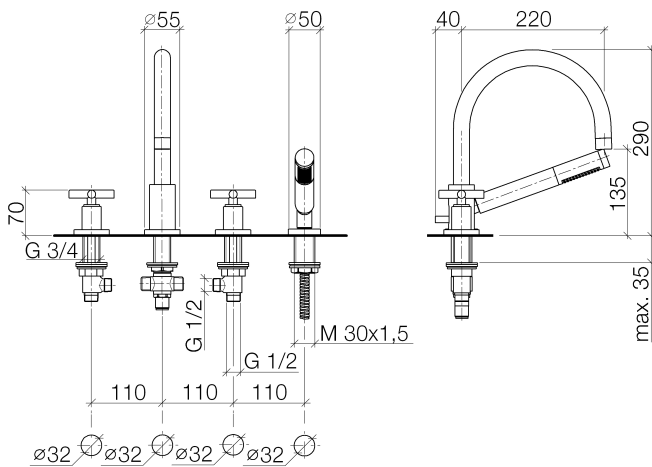


- 220 mm projection
- complete hand shower set: normal flow
- spout: circular, air-enriched flow
- complete hand shower set with anti-scale system
- automatic bath/shower diverter
- height of mixer 290 mm
- height up to aerator 135 mm
- hole diameter spout 32 mm
- deck valve hole diameter 32 mm
- hole diameter for complete hand shower set 32 mm
- rosette for spout Ø 55mm
- rosette for complete hand shower set Ø 50mm
- rosette for deck valve Ø 55mm
- metal shower hose 2250mm with integrated anti-twist protection
- max. flow 23.5 l/min at 3 bar flow pressure
- max. flow for complete hand shower set 6.8 l/min
- Fittings group as per DIN 4109: 1
- Also available with 260 mm or 300 mm projection on request (x-TRA SERVICE).
- Intrinsic protection against back flow.



matt black

Dimensional drawing



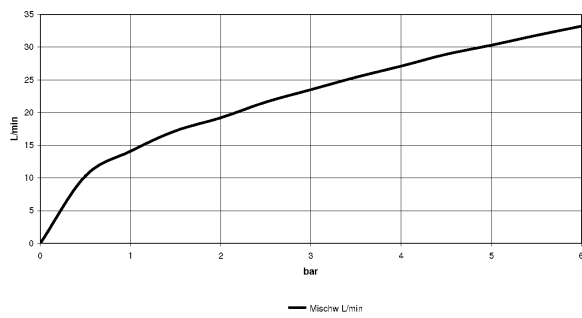
All details in mm / inch = mm x 0.0394

**Bath - Tara.**

Bath shower set for bath rim or tile edge installation - matt black

Article number: 27 512 892-33

**Flow rate chart**



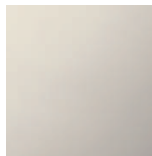
**Other finish variants**



polished chrome  
27 512 892-00



platinum matt  
27 512 892-06



platinum  
27 512 892-08



Cyprum  
27 512 892-49

Other finishes on request (x-tra Service)



Bath - Tara.

Bath shower set for bath rim or tile edge installation - matt black

Article number: 27 512 892-33

### Recommended miscellaneous



12 614 970 90

Perfecto installation kit -



12 801 970-33

Decorative caps for Perfecto -  
matt black