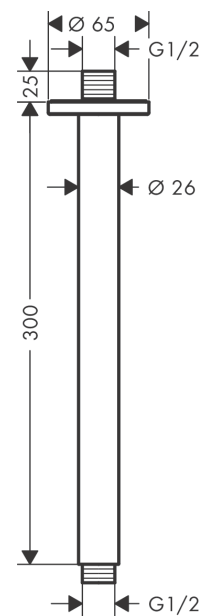


**Vernis Blend****Ceiling connector 30 cm**Surfaces: **Chrome** Article Number: **27805000****Description****product features**

- length: 300 mm
- shaft  $\varnothing$ : 26 mm
- installation type: exposed installation
- material: solid brass
- connection type: G 1/2 NPT
- connection thread G 1/2
- connection dimension G 1/2

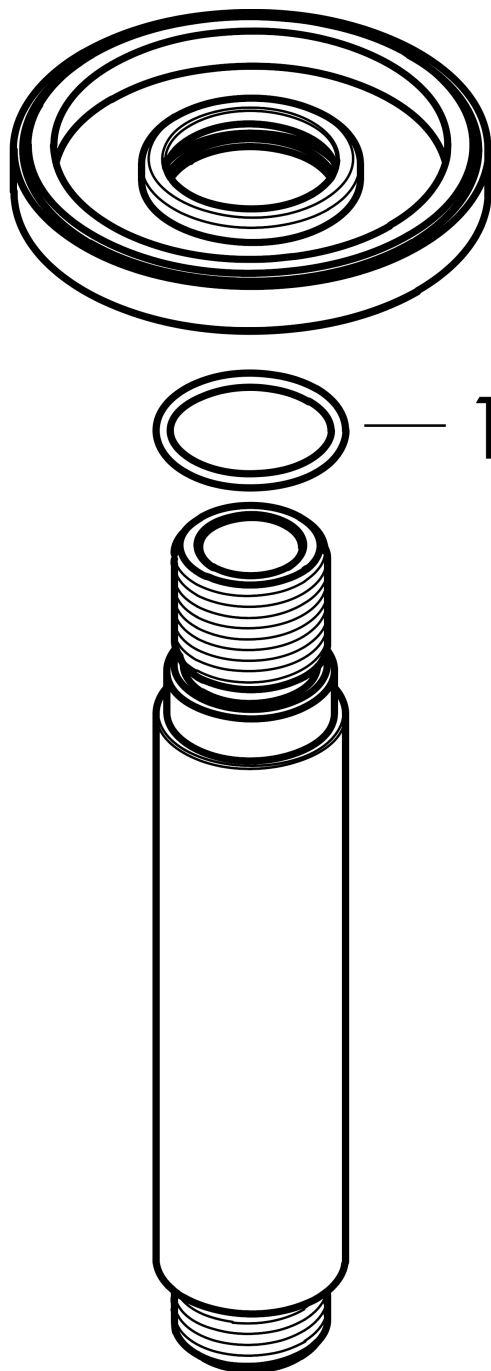
**Product image****Scale drawing**

Vernis Blend  
Ceiling connector 30 cm  
Surfaces: **Chrome** Article Number: 27805000



### Exploded Drawing

Year of production: >01/21



**Vernis Blend**  
**Ceiling connector 30 cm**  
 Surfaces: **Chrome** Article Number: **27805000**



**Spare part list**

Year of production: >01/21

Pos.	Description	Article Number	Price	PU
1	O-Ring 22x2	98185000	-	1