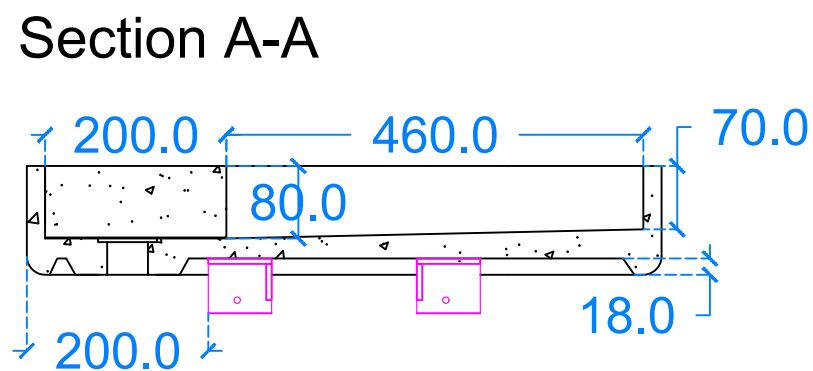
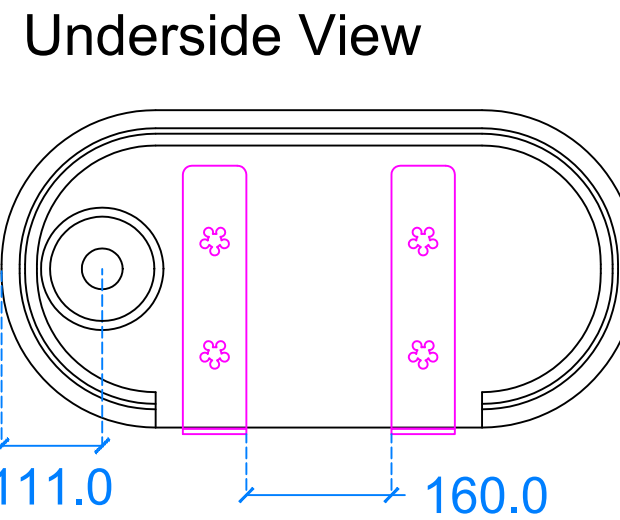
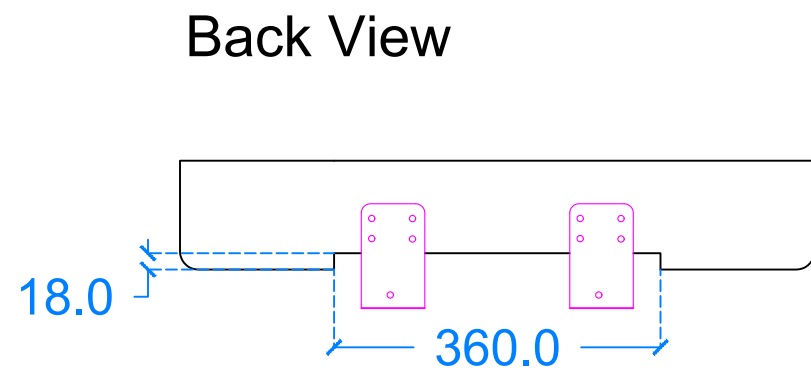
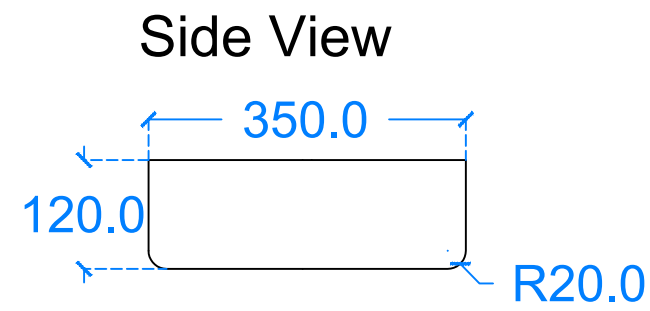
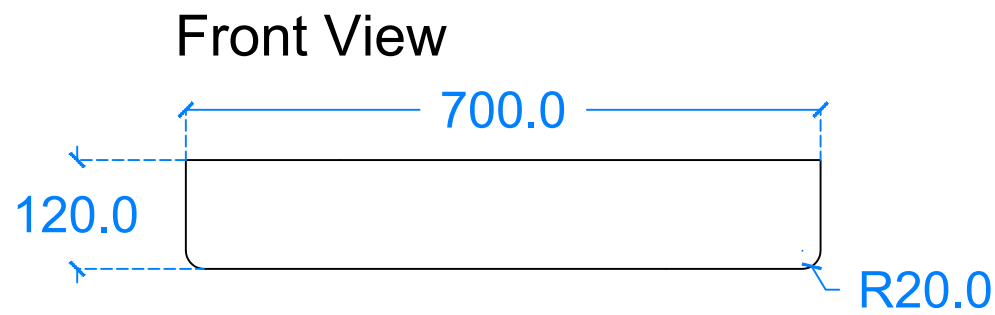
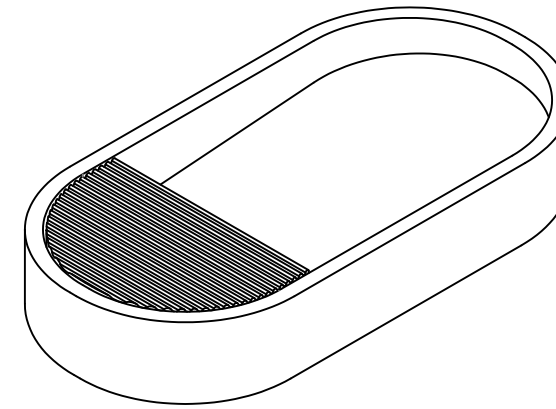
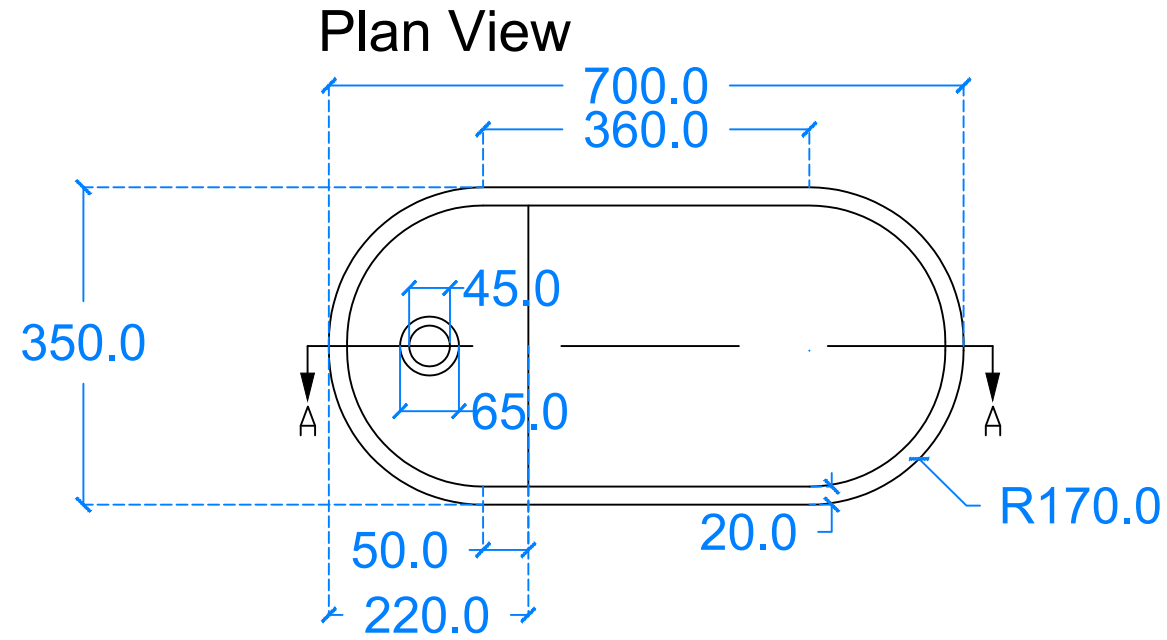


# Aura A1 RHS



**General notes**  
 Kast work to tolerances of +/-5mm, Joints 3-5mm, vertical deflection 3mm per linear meter. It is the responsibility of the recipient (client) to check all dimensions are correct and confirm this prior to manufacture. Kast will manufacture only from these drawings on receipt of client confirmation and takes no responsibility for incorrect dimensions and measurements not reported. This drawing is to be viewed in conjunction with all other contract documentation and specifications, and all other consultants drawings. All dimensions should be checked and any discrepancies notified to Kast prior to proceeding with works. Any discrepancies found between this drawing and other documents should be referred immediately to Kast. The author takes no responsibility for any dimensions obtained by scaling from this drawing.

Basin Description  
 L700 x W350 x H120 mm  
 20mm walls

Weight 38kg/84lbs	Scale N/A	Drawn by J.F
----------------------	--------------	-----------------

Basin Code A.A1.R

Unless otherwise stated, dimensions are in mm



Kast Concrete Basins Ltd  
 2 - 4 Meden Court  
 Boughton Industrial Est  
 Nottingham NG22 9YU

Tel +44 (0)1623 709249  
 Email info@kastconcretebasins.com  
 Web www.kastconcretebasins.com