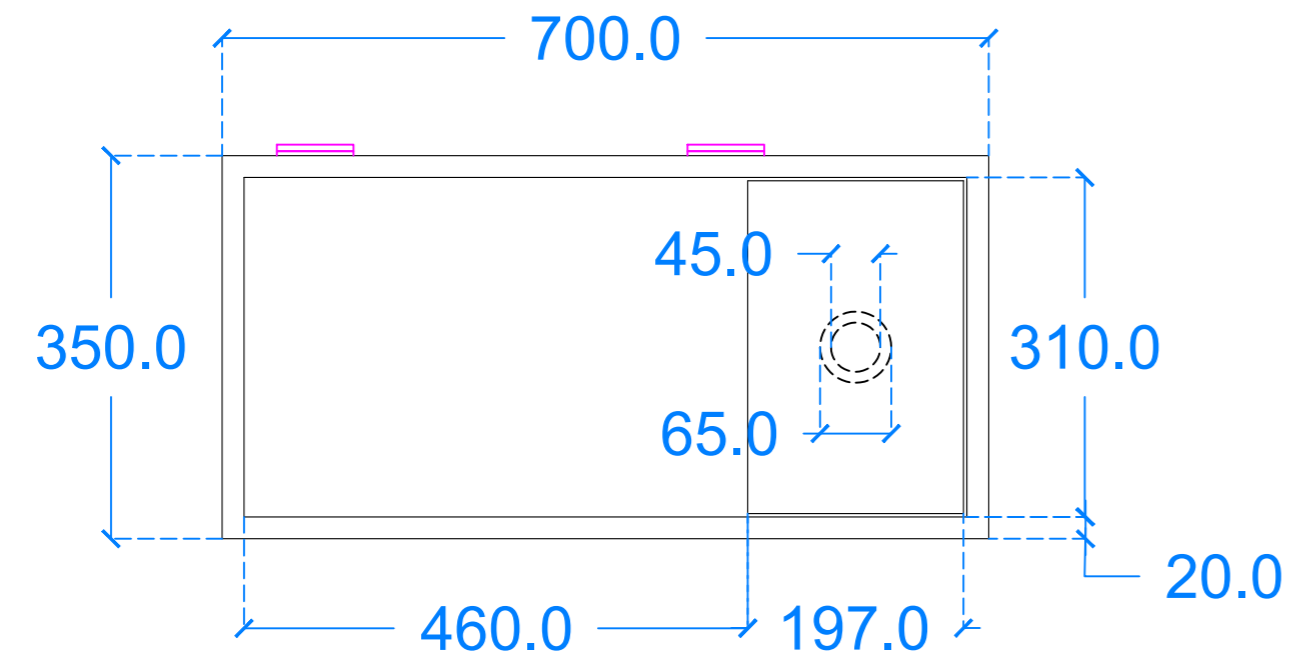
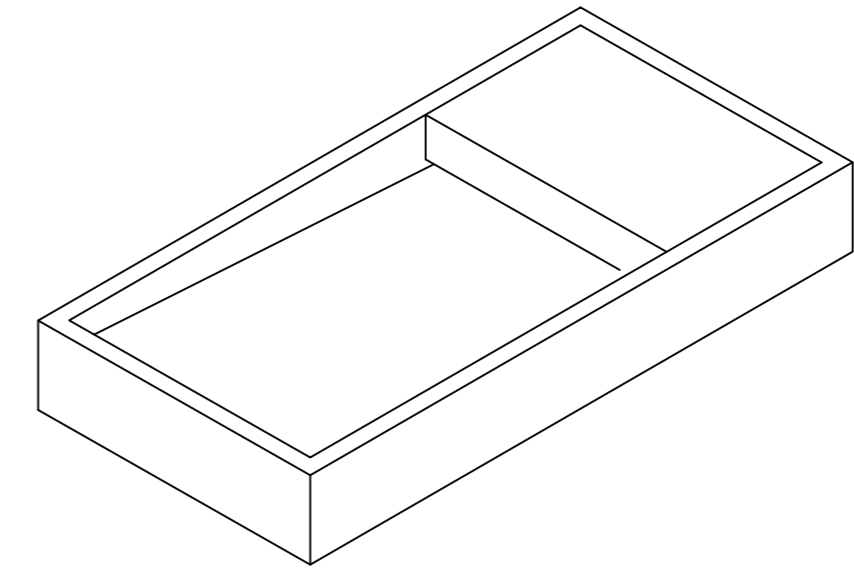


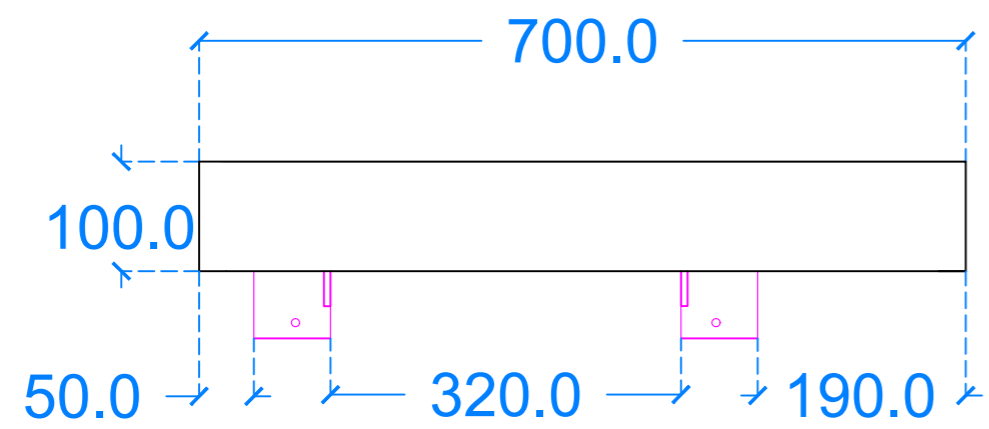
Flor A2 LHS



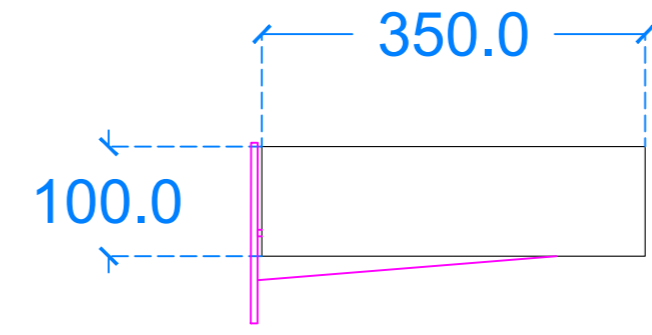
Front View



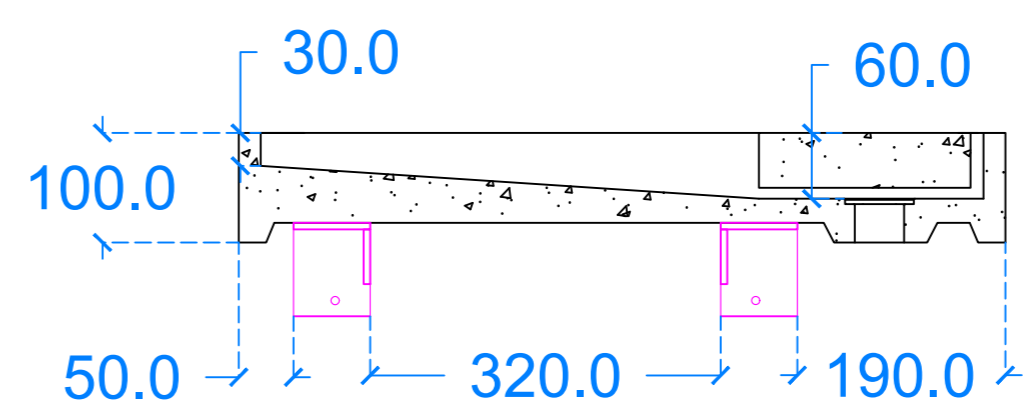
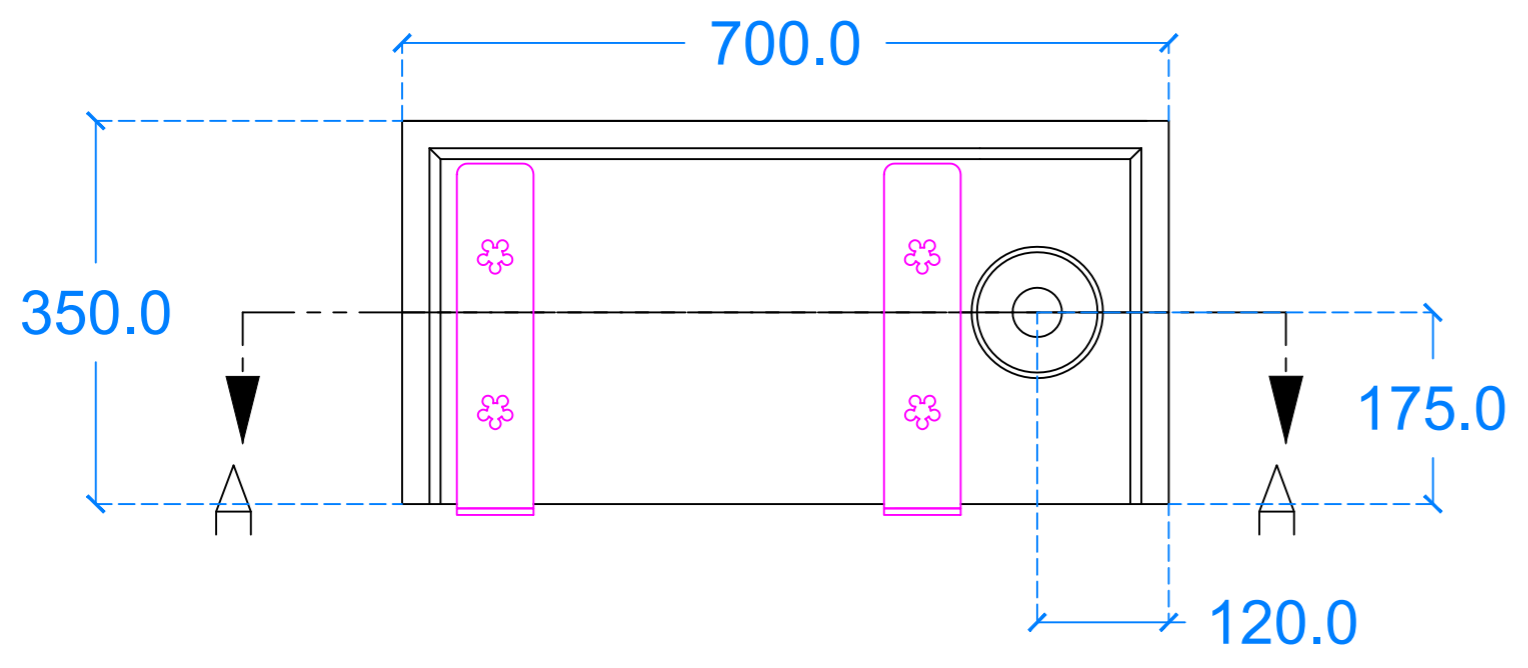
Side View



Underside View



Section A-A



General notes
 Kast work to tolerances of +/-5mm, Joints 3-5mm, vertical deflection 3mm per linear meter. It is the responsibility of the recipient (client) to check all dimensions are correct and confirm this prior to manufacture. Kast will manufacture only from these drawings on receipt of client confirmation and takes no responsibility for incorrect dimensions and measurements not reported. This drawing is to be viewed in conjunction with all other contract documentation and specifications, and all other consultants drawings. All dimensions should be checked and any discrepancies notified to Kast prior to proceeding with works. Any discrepancies found between this drawing and other documents should be referred immediately to Kast. The author takes no responsibility for any dimensions obtained by scaling from this drawing.

Basin Description L700 x W350 x H100 mm 20mm walls		
Weight 32kg	Scale N/A	Drawn by GR
Basin Code F.A2.L		
Unless otherwise stated, dimensions are in mm		



Kast Concrete Basins Ltd
 2 - 4 Meden Court
 Boughton Industrial Est
 Nottingham NG22 9YU
 Tel +44 (0)1623 709249
 Email info@kastconcretebasins.com
 Web www.kastconcretebasins.com