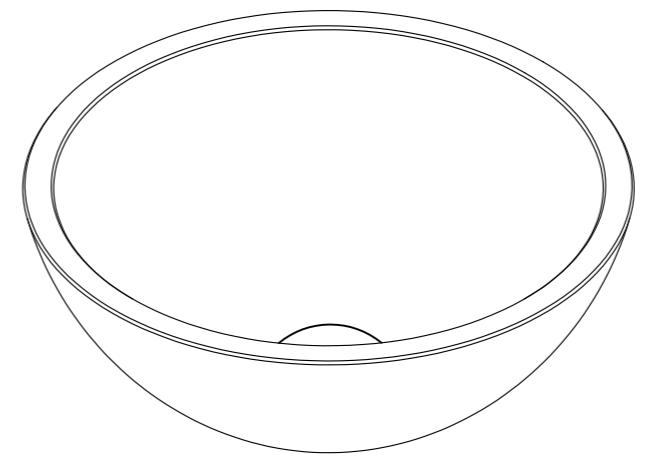
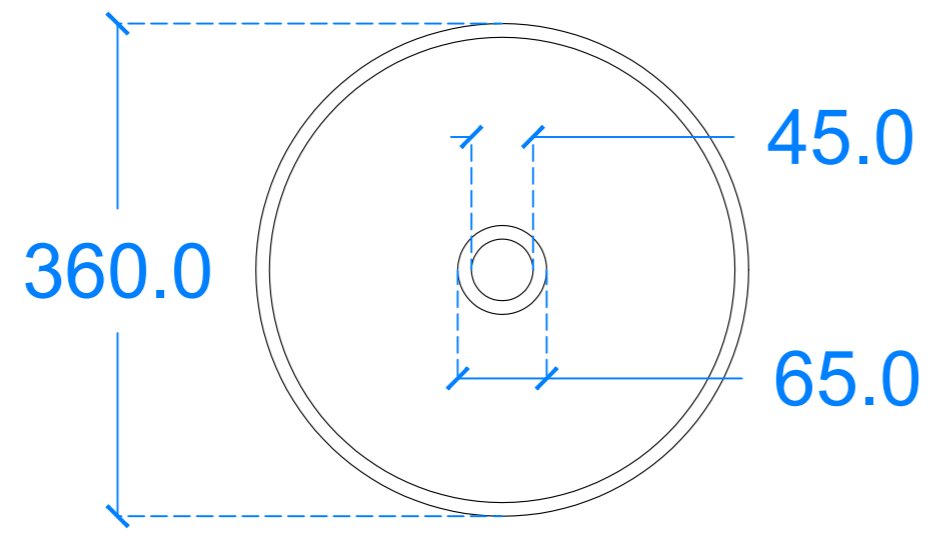
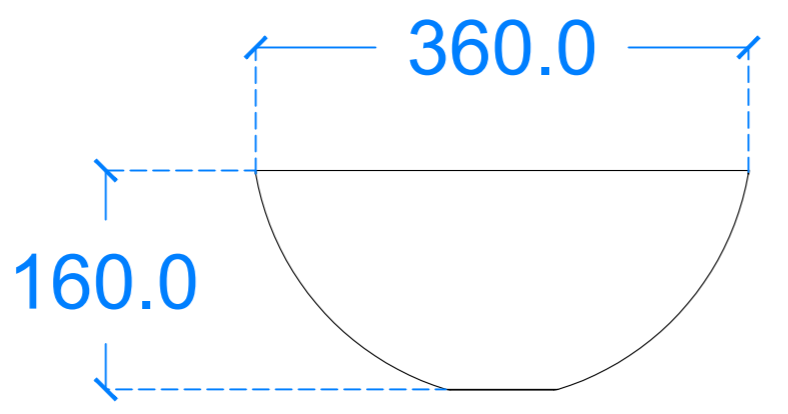


Rena B1

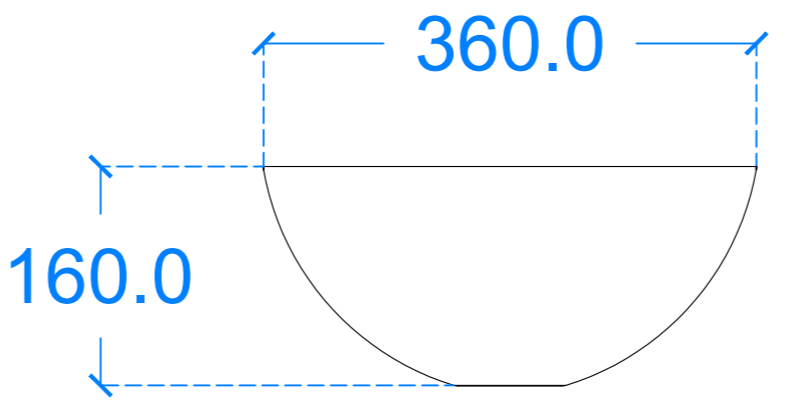
Plan View



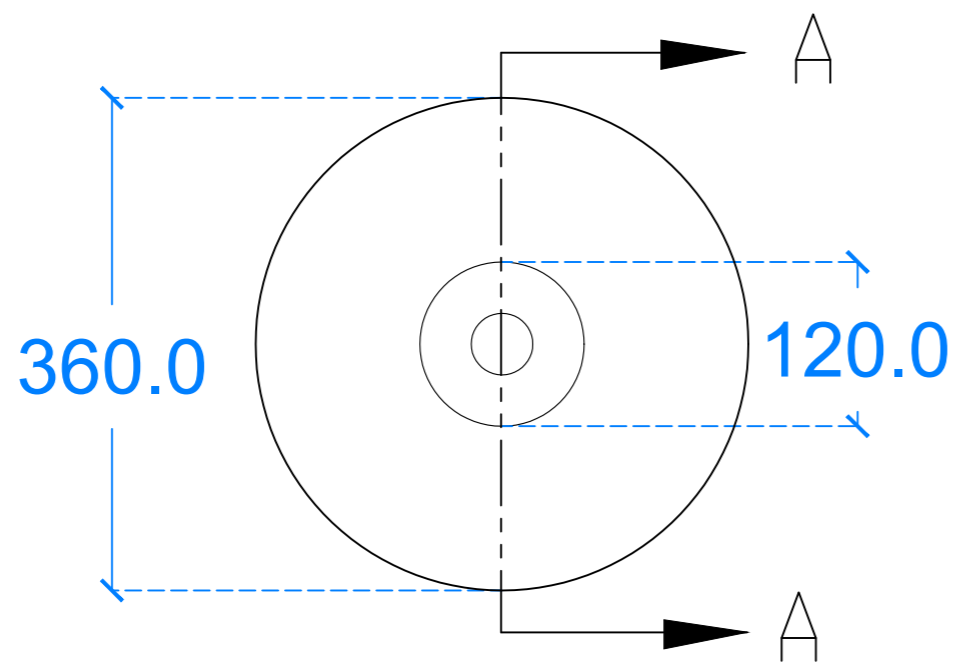
Front View



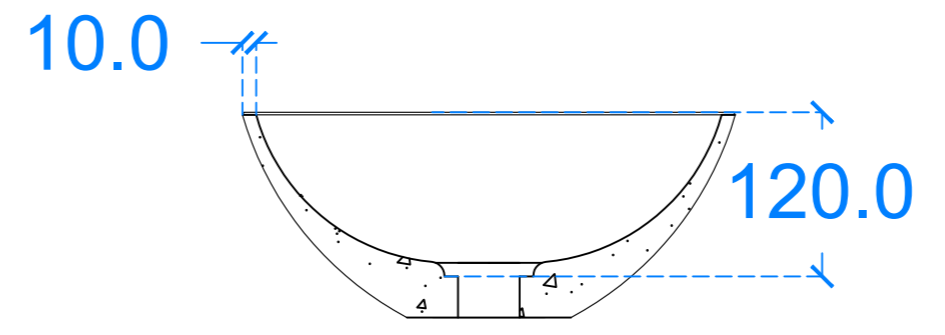
Side View



Underside View



Section A-A



General notes
 Kast work to tolerances of +/-5mm, Joints 3-5mm, vertical deflection 3mm per linear meter. It is the responsibility of the recipient (client) to check all dimensions are correct and confirm this prior to manufacture. Kast will manufacture only from these drawings on receipt of client confirmation and takes no responsibility for incorrect dimensions and measurements not reported. This drawing is to be viewed in conjunction with all other contract documentation and specifications, and all other consultants drawings. All dimensions should be checked and any discrepancies notified to Kast prior to proceeding with works. Any discrepancies found between this drawing and other documents should be referred immediately to Kast. The author takes no responsibility for any dimensions obtained by scaling from this drawing.

Basin Description
 D360 x H160 mm
 10mm walls

Weight 13kg	Scale N/A	Drawn by GR
----------------	--------------	----------------

Basin Code R.B1

Unless otherwise stated, dimensions are in mm



Kast Concrete Basins Ltd
 2 - 4 Meden Court
 Boughton Industrial Est
 Nottingham NG22 9YU

Tel +44 (0)1623 709249
 Email info@kastconcretebasins.com
 Web www.kastconcretebasins.com