

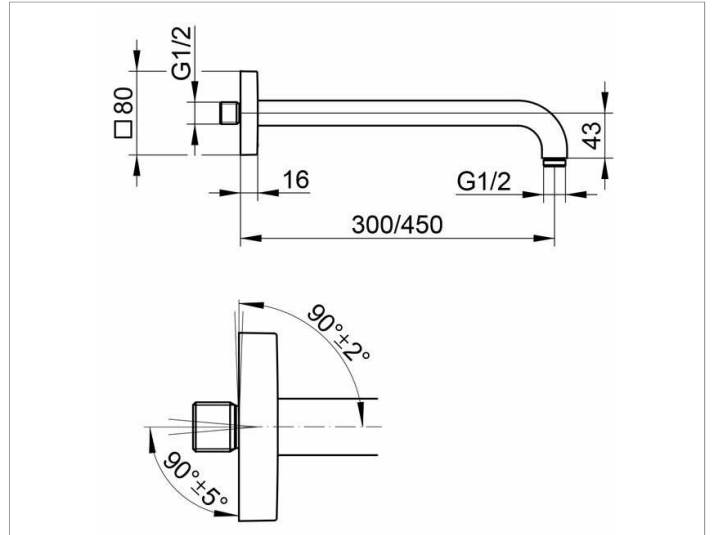
Edition 300

53088010302 Arm for shower head

PRODUCT



DRAWING



PRODUCT ATTRIBUTES

wall mounted G 1/2, with square decorative disc

SURFACE

chrome-plated

DIMENSION

Ausladung 300 mm

SPECIFICATIONS

KEUCO EDITION 300 shower arm for wall connection 53088010302
 High-gloss chrome plated shower arm for wall connection
 Elegant style,
 Total extension 312 mm
 Outreach 300 mm
 Water connection G 1 / 2