

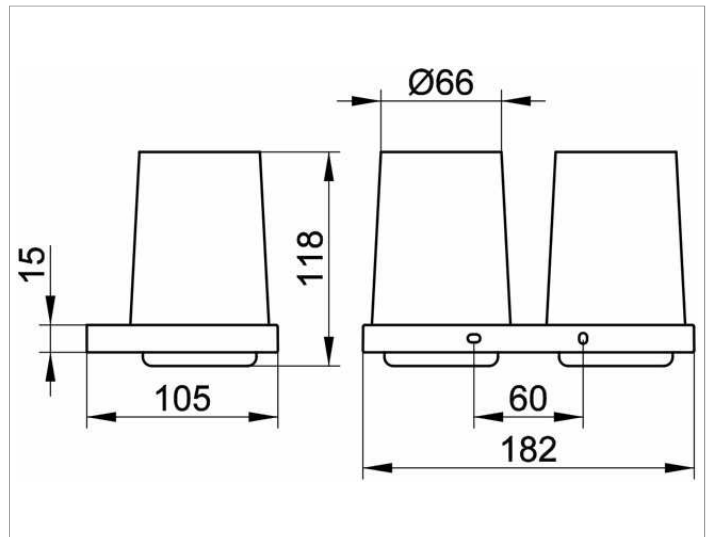
Edition 11

11151019000 Double tumbler holder

PRODUCT



DRAWING



PRODUCT ATTRIBUTES

complete with glass tumblers, hand-blown

SURFACE

chrome-plated

SPECIFICATIONS

KEUCO EDITION 11 double tumbler holder with frosted crystal glass 11151019000 for wall mounting, complete
 Chromed double glass holder in a clear-cut design and geometric shapes, easy to clean,
 Double holder with frosted crystal glass Item no. 11150009000
 Height 114 mm, 105 mm, width 182 mm
 Comes with corrosion resistant mounting hardware