

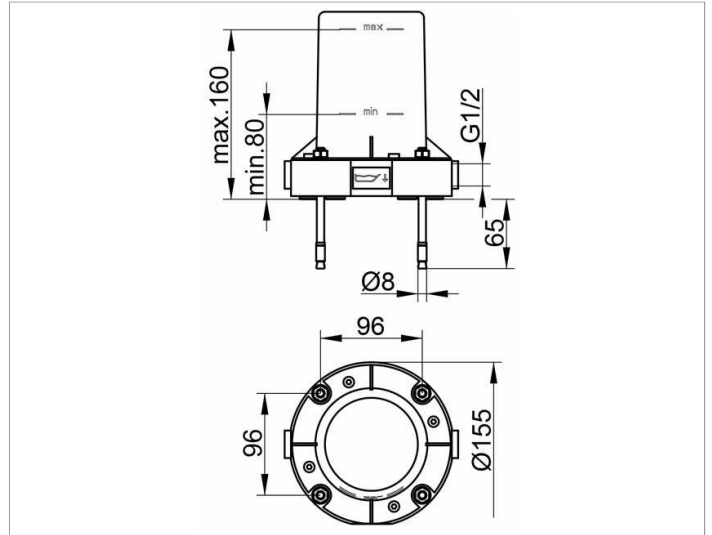
Edition 11

51127010070 Floor mounting kit

PRODUCT



DRAWING



PRODUCT ATTRIBUTES

for freestanding bath tub mixer,
essential for installation with article 51127/51527
1/2 inch, basic construction set consists of:
under plaster body, basic cover, water sealing ring,
drain plug, attachment kit

SURFACE

chrome-plated