

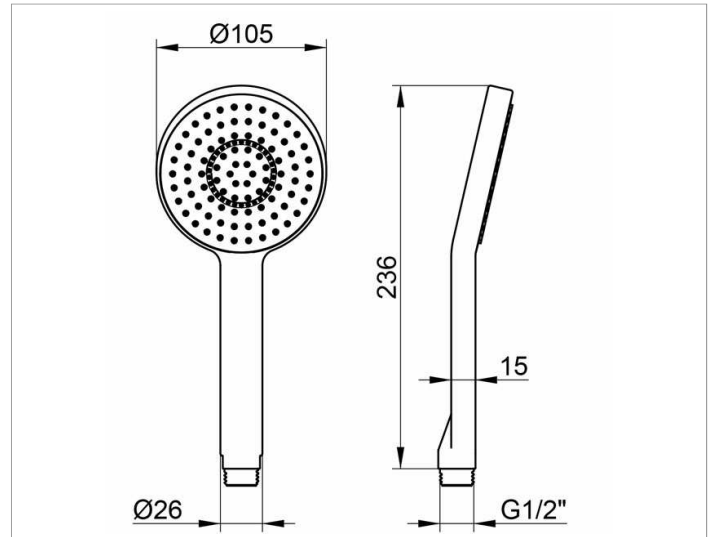
Edition 11

51180010300 Hand shower

PRODUCT



DRAWING



PRODUCT ATTRIBUTES

with anti limescale device
with normal jet
flow rate 12 l/min.
for combination boilers

SURFACE

chrome-plated

SPECIFICATIONS

KEUCO EDITION 11 hand shower 51180010300
High gloss chrome hand shower in clear-cut design and geometric shapes,
with Normal spray, with anti-lime system
also suitable for water heater
Flow rate 12 l / min