

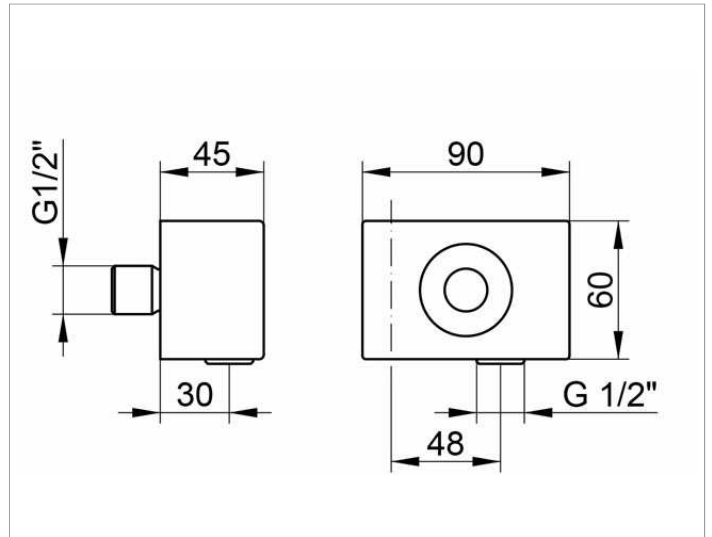
Edition 11

51192010000 Wall outlet for shower hose DN 15

PRODUCT



DRAWING



PRODUCT ATTRIBUTES

with wall bracket for hand shower,
for shower hoses with fitted conical end brackets,
with backflow preventer,
suitable for all concealed fittings

SURFACE

chrome-plated

SPECIFICATIONS

KEUCO EDITION 11 Hose connection DN 15 51192010000 chromed
hose connection DN 15, linear design and clear geometric shapes,
suitable for all flush valves
Protected against backflow
Width 90 mm, height 60 mm, depth 45 mm
Water connection G 1 / 2