

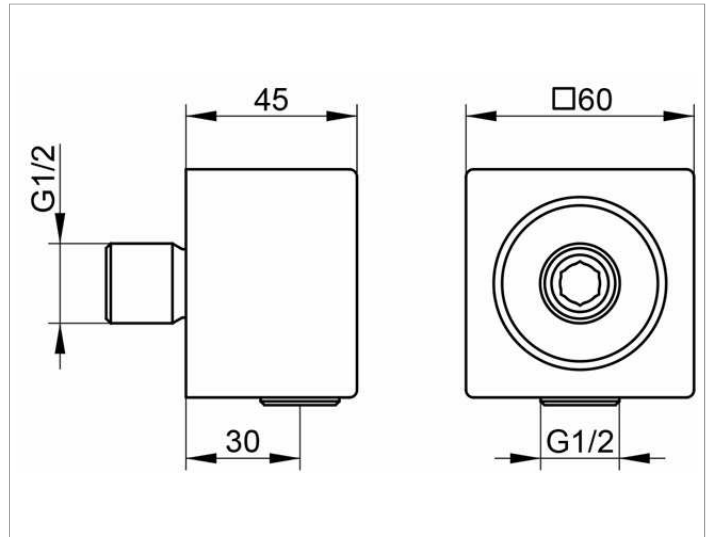
Edition 11

51147010000 Wall outlet for shower hose DN 15

**PRODUCT**



**DRAWING**



**PRODUCT ATTRIBUTES**

with backflow preventer  
suitable for all concealed fittings

**SURFACE**

chrome-plated

**SPECIFICATIONS**

KEUCO EDITION 11 hose connection DN 15 51147010000  
chromed hose connection DN 15, linear design and clear geometric  
shapes, suitable for all concealed valves,  
Protected against backflow,  
Base dimensions 45 x 60 mm, 30 mm hose connection at  
Water connection G 1/2