

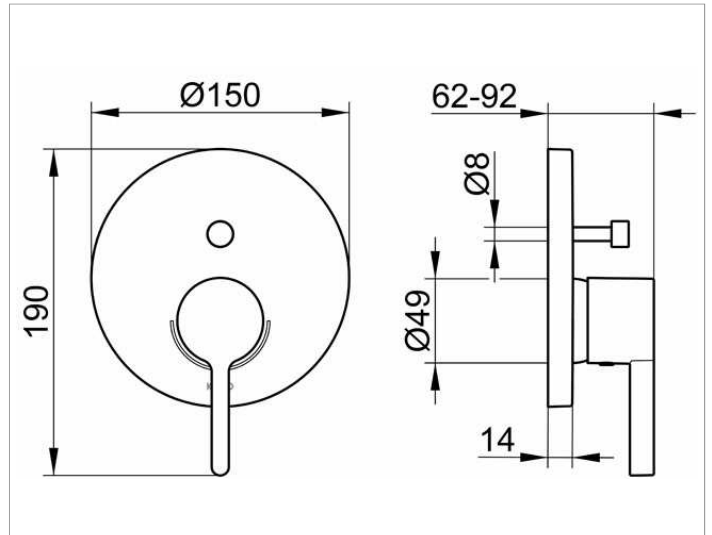
Edition 400

51572010281 Concealed single lever bath tub mixer

PRODUCT



DRAWING



PRODUCT ATTRIBUTES

with safety device
 set complete with:
 handle, sleeve, diverter, rosette and installation unit,
 mixing cartridge with ceramic sealing gaskets
 temperature controlled,
 suitable for rough part no. 59970 (FLEXX.BOXX)

SURFACE

chrome-plated

SPECIFICATIONS

KEUCO Edition 400 single lever bath tub mixer, concealed,
 51572010281
 chrome-plated single lever bath tub mixer
 with safety device,
 sculptural design, concealed,
 set complete with:
 handle, sleeve, diverter, rosette and installation unit,
 mixing cartridge with ceramic sealing gaskets
 and temperature controlled,
 round rosette, diameter 150 mm, depth 15 mm,
 base body diameter of the mixing unit 50 mm,
 max. depth 91 mm,
 suitable for Flexx Boxx (Art.-Nr. 59970000070)