

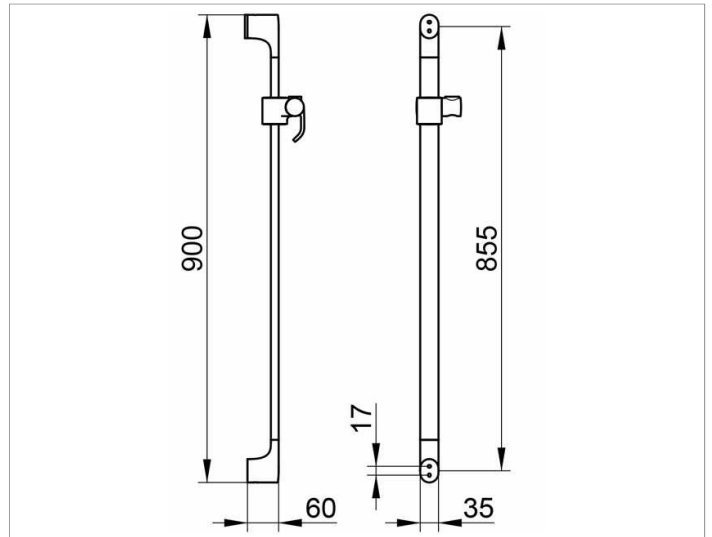
Edition 400

51585010900 Hand shower sliding rail

PRODUCT



DRAWING



PRODUCT ATTRIBUTES

- consisting of:
- rail and hand-shower bracket
 - height adjustable with handle,
 - with adjustable tilt angle
 - spacer disc (5 mm)

SURFACE

chrome-plated

DIMENSION

900 mm

SPECIFICATIONS

- KEUCO Edition 400 Hand shower sliding rail, 51585010900
chrome-plated hand shower sliding rail,
sculptural design,
wall mounted,
consisting of:
- rail and hand-shower bracket, Centre-to-centre 855 mm,
 - total length 900 mm,
 - height adjustable with handle,
 - with adjustable tilt angle,
 - spacer disc (5 mm),
 - depth 60 mm,
- the hand shower sliding rail is fitted concealed,
delivery includes anti-corrosion fixings