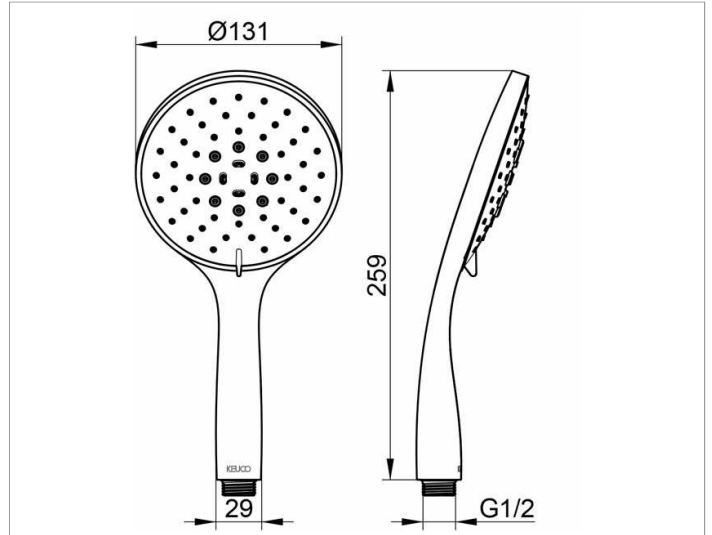


Edition 400
51580010300 Hand shower

PRODUCT



DRAWING



PRODUCT ATTRIBUTES

with anti limescale device
triple spray function: normal, soft, massage
with ECO AIR function
flow rate 10 l/min.
also suitable for combination boilers

SURFACE

chrome-plated

SPECIFICATIONS

KEUCO Edition 400 Hand shower, 51580010300
chrome-plated hand shower,
flow rate 10 l/min.,
triple spray function:
normal, soft, massage,
with anti limescale device and ECO AIR function,
also suitable for combination boilers