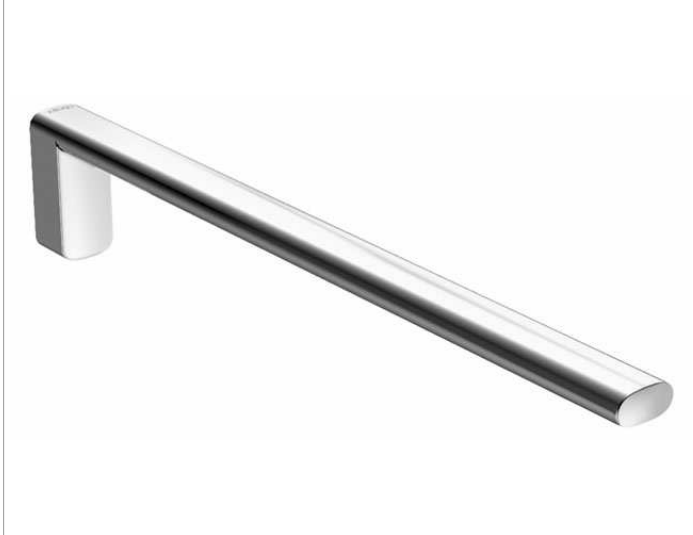
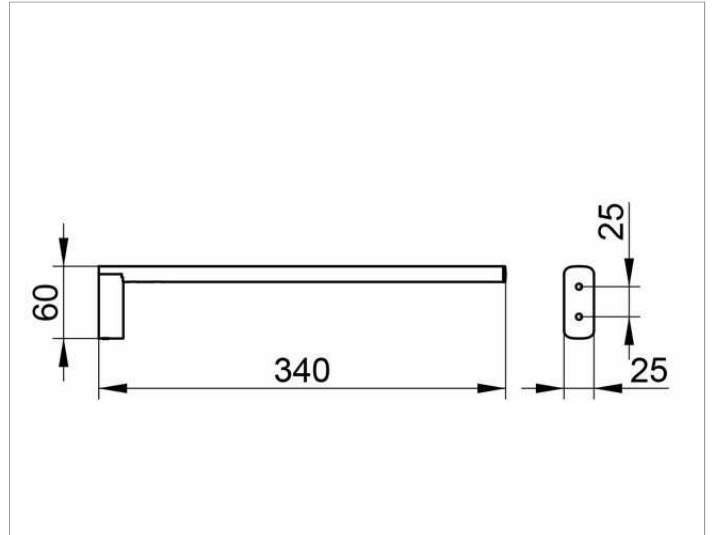


Edition 400  
11522010000 Towel holder

**PRODUCT**



**DRAWING**



**PRODUCT ATTRIBUTES**

fixed

**SURFACE**

chrome-plated

**DIMENSION**

340 mm

**SPECIFICATIONS**

KEUCO Edition 400 towel holder, 11522010000  
chrome-plated towel holder, 1 piece,  
sculptural design,  
with slightly rounded edges,  
one fixed arm, made of an oval tube,  
antistatic, easy to clean,  
depth 340 mm, width 25 mm, height 60 mm,  
the towel holder is fitted concealed,  
delivery includes anti-corrosion fixings