

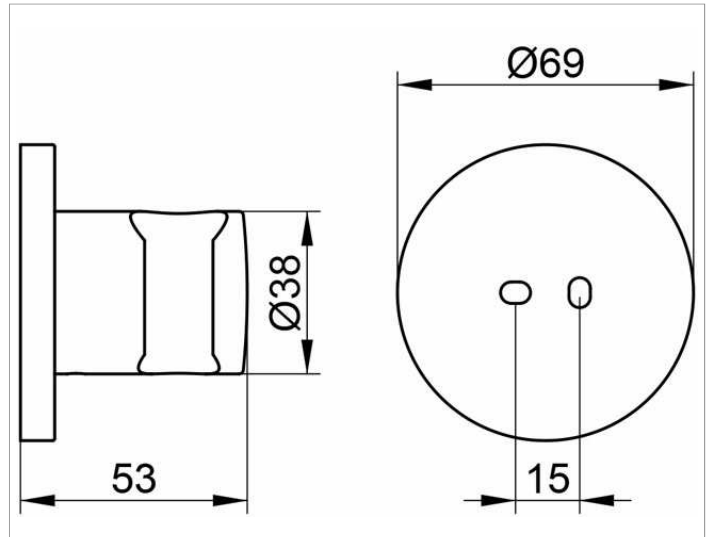
Edition 400

51591010000 Wall bracket for hand shower

PRODUCT



DRAWING



PRODUCT ATTRIBUTES

for shower hoses with fitted conical end brackets

SURFACE

chrome-plated

SPECIFICATIONS

KEUCO Edition 400 wall bracket for hand shower, 51591010000
 chrome-plated wall bracket for hand shower,
 sculptural design
 for shower hoses with fitted conical and brackets,
 rosette diameter 69 mm,
 base body diameter 38 mm,
 depth 53 mm,
 the wall bracket for hand shower is fitted concealed,
 delivery includes anti-corrosion fixings