

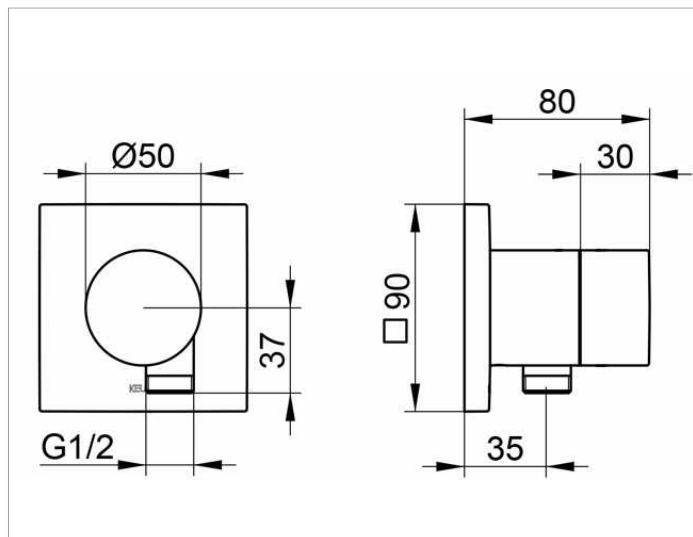
IXMO

59556010102 2-way diverter valve with wall outlet for shower hose DN 15

PRODUCT



DRAWING



PRODUCT ATTRIBUTES

Set complete with:
 handle, casing, rosette (square) and diverter valve,
 intrinsically safe against backflow,
 suitable for rough part no. 59556 000170

SURFACE

chrome-plated

DIMENSION

IXMO Pure/Rosette eckig

SPECIFICATIONS

KEUCO IXMO 2-way diverter valve
 with wall outlet for shower hose DN 15, 59556010102
 chrome-plated 2-way diverter valve,
 IXMO Pure lever with square rosette,
 freely positionable, with backflow preventer,
 installation depth 80 - 110 mm,
 with adjustment facilities whilst assembling
 for handle and rosette, with hose connection G1/2 inch,
 rosette 90 x 90 mm, 10 mm thick,
 total depth 80 mm,
 set complete with:
 handle, sleeve, rosette (square) and diverter valve,
 suitable for rough part no. 59556000170