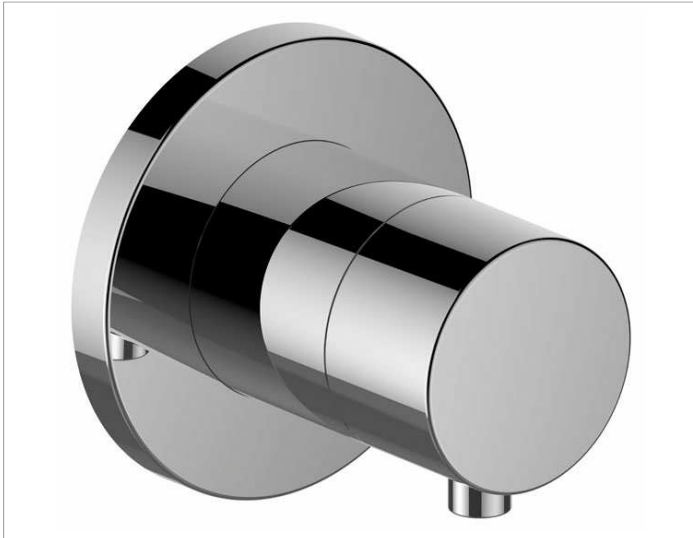


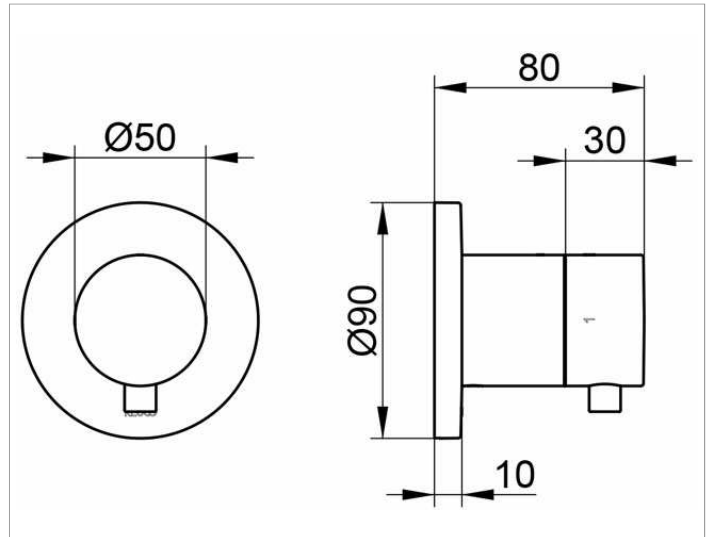
**IXMO**

59557011001 2-way stop and diverter valve DN 15

**PRODUCT**



**DRAWING**



**PRODUCT ATTRIBUTES**

Set complete with:  
handle, casing, rosette (round) and stop and diverter valve  
suitable for rough part no. 59556 000070

**SURFACE**

chrome-plated

**SPECIFICATIONS**

KEUCO IXMO 2-way stop and diverter valve , 59557011001  
chrome-plated 2-way stop and diverter valve,  
IXMO Comfort lever with round rosette,  
freely positionable, installation depth 80 - 110 mm,  
with adjustment facilities whilst assembling,  
for handle and rosette,  
rosette diameter 90 mm, 10 mm thick,  
total depth 80 mm,  
set complete with:  
handle, sleeve, rosette (round) and stop/diverter valve,  
suitable for rough part no. 59556000070