

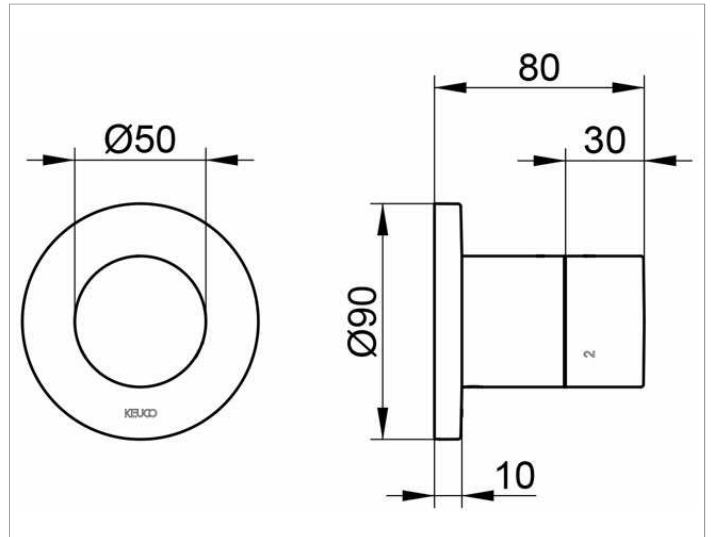
IXMO

59548010001 3-way diverter valve DN 15

PRODUCT



DRAWING



PRODUCT ATTRIBUTES

Set complete with:
handle, casing, rosette (round) and diverter valve
suitable for rough part no. 59548 000070

SURFACE

chrome-plated

SPECIFICATIONS

KEUCO IXMO 3-way diverter valve DN 15, 59548010001
chrome-plated 3-way diverter valve; IXMO Pure lever
with backflow preventer, freely positionable,
installation depth 80 - 110 mm,
with adjustment facilities whilst assembling,
for handle and rosette, with round rosette,
rosette diameter 90 mm, 10 mm thick,
total depth 80 mm,
set complete with handle, sleeve, rosette (round)
and diverter valve,
suitable for rough part no. 59548000070