

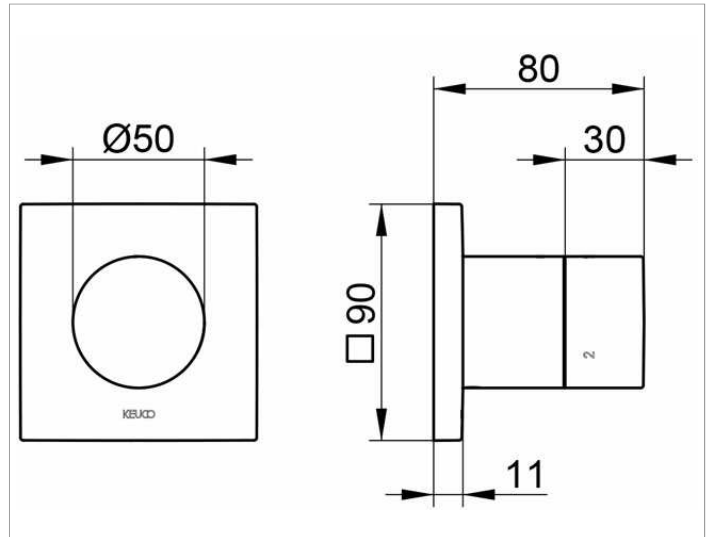
**IXMO**

59548010002 3-way diverter valve DN 15

**PRODUCT**



**DRAWING**



**PRODUCT ATTRIBUTES**

Set complete with:  
handle, casing, rosette (square) and diverter valve  
suitable for rough part no. 59548 000070

**SURFACE**

chrome-plated

**SPECIFICATIONS**

KEUCO IXMO 3-way diverter valve DN 15, 59548010002  
chrome-plated 3-way diverter valve, IXMO Pure lever,  
freely positionable, with backflow preventer,  
installation depth 80 - 110 mm,  
with adjustment facilities whilst assembling,  
for handle and rosette, with square rosette,  
rosette 90 x 90 mm, 10 mm thick,  
total depth 80 mm,  
set complete with handle, sleeve, rosette (square)  
and diverter valve,  
suitable for rough part no. 59548000070