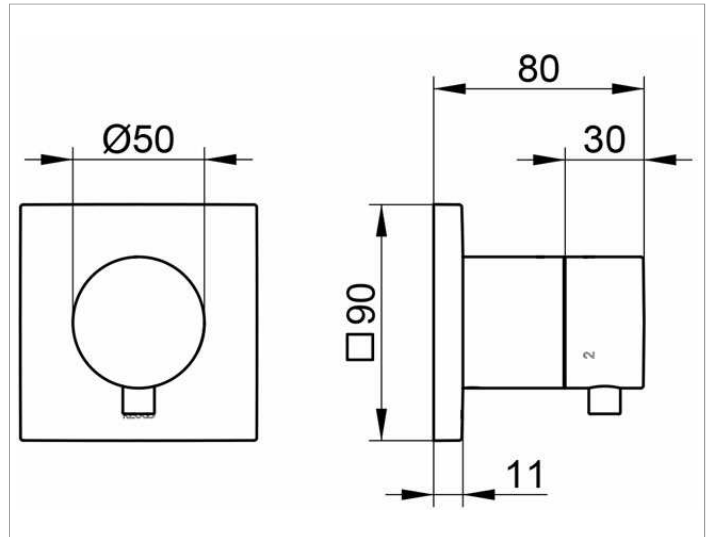


IXMO
59548011002 3-way diverter valve DN 15

PRODUCT



DRAWING



PRODUCT ATTRIBUTES

Set complete with:
 handle, casing, rosette (square) and diverter valve
 suitable for rough part no. 59548 000070

SURFACE

chrome-plated

SPECIFICATIONS

KEUCO IXMO 3-way diverter valve DN 15, 59548011002
 chrome-plated 3-way diverter valve, IXMO Comfort lever,
 freely positionable, with backflow preventer,
 installation depth 80 - 110 mm,
 with adjustment facilities whilst assembling,
 for handle and rosette, with square rosette,
 rosette 90 x 90 mm, 10 mm thick,
 total depth 80 mm,
 set complete with handle, sleeve, rosette (square)
 and diverter valve,
 suitable for rough part no. 59548000070