

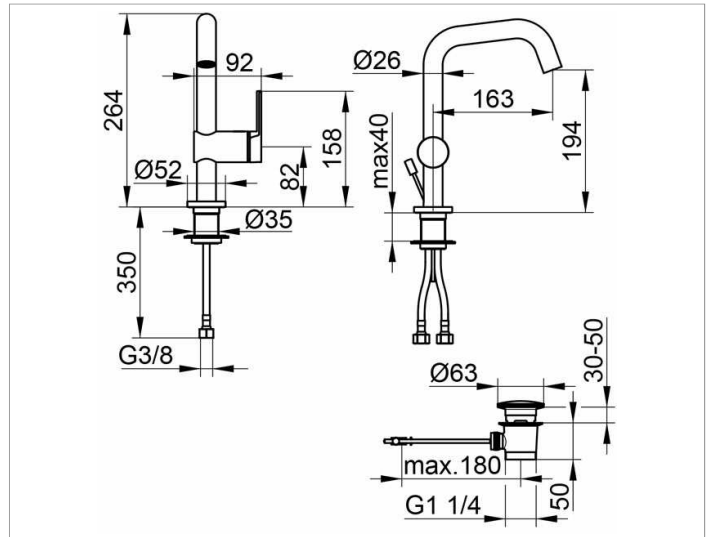
Plan blue

53905010000 Single lever basin mixer 200

PRODUCT



DRAWING



PRODUCT ATTRIBUTES

with pop-up waste 1 1/4 inch,
 spout swivelling +/- 60°,
 cartridge with ceramic discs,
 M 24x1 aerator,
 2 pc. pressure hoses 440 mm G 3/8 inch,
 restricted flow rate 6 l/min.

SURFACE

chrome-plated

DIMENSION

schwenkbar