

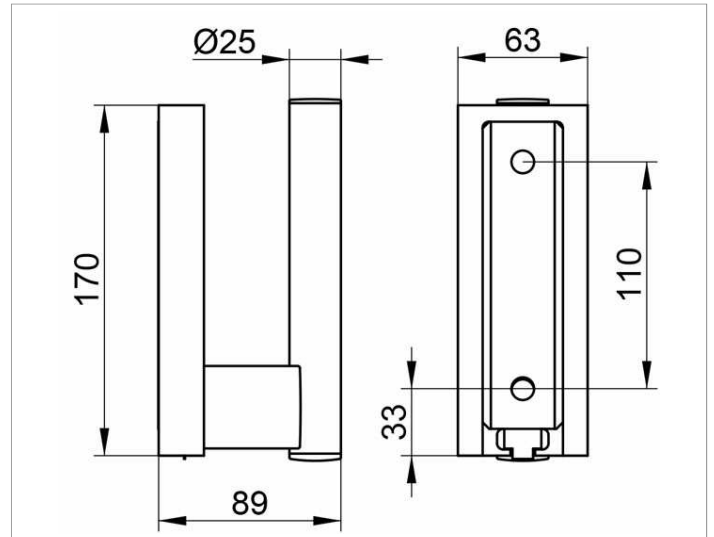
Plan Care

34903010001 Cover plate

PRODUCT



DRAWING



PRODUCT ATTRIBUTES

for wall bracket, for supporting rails (removable version),
art.-no. 34903

SURFACE

chrome-plated