

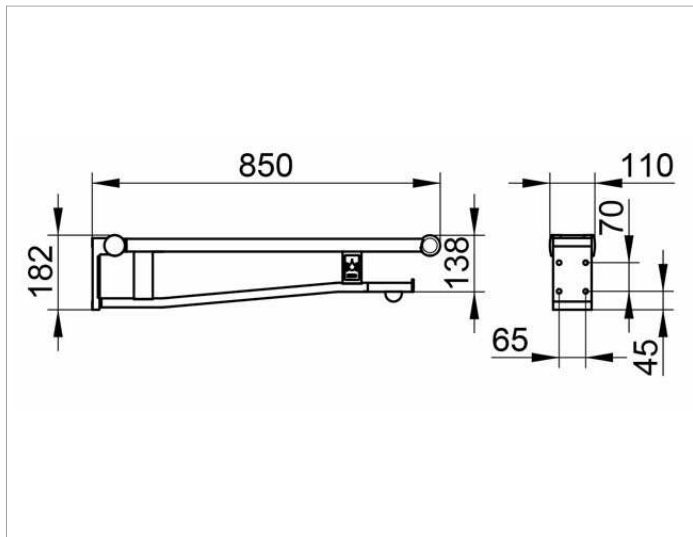
**Plan Care**

**34903012837 Drop down supporting rail for WC**

**PRODUCT**



**DRAWING**



**PRODUCT ATTRIBUTES**

left hand model  
 with integrated radio-controlled flush switch,  
 complete with membrane keypad and battery power  
 (SL-360 LTC battery) fits with:  
 Geberit:  
 115.867.SN.5, 115.869.SN.5, 115.897.00.1, 115.898.00.1  
 Grohe: 38 759 SD0  
 Sanit: 03.082.00..0000, 03.582.00..0000  
 Tece: 9.240.354, 9.240.355  
 Viega: 696 177  
 lift up arm, cushioned model,  
 support area with plastic covering,  
 with removable toilet paper holder (with roll brake)

**SURFACE**

chrome-plated/dark grey (RAL 7021)

**DIMENSION**

850 mm

**SPECIFICATIONS**

KEUCO PLAN Pivoted supporting rail for WC  
 34903012837  
 High shine chrome-plate pivoted supporting rail for WC  
 left hand model with integrated radio-controlled flush switch  
 complete with membrane keypad and battery power  
 (SL-360 LTC battery) fits with:  
 Geberit:  
 115.867.SN.5, 115.869.SN.5, 115.897.00.1, 115.898.00.1  
 Grohe:  
 38 759 SD0  
 Sanit:  
 03,082,00,,0000, 03,582,00,,0000  
 Tece:  
 9,240,354, 9,240,355  
 Viega:  
 611 965  
 handle folds upward, cushioned model,  
 support area with plastic covering,  
 dark-grey (RAL 7021)  
 with removable toilet paper holder (with roll brake)  
 anti-static  
 Width Surface area with anti-slip,  
 elegant,  
 tactile and optical contrasting Handle  
 Underneath as Hand towel holder useable  
 Projection 850 mm  
 Projection 850 mm  
 Width Wall plate 110 mm,  
 Height Wall plate 182 mm  
 Load capacity up to 100 kg  
 The Handle is Type approved  
 Wall support grip will be at 4 places discretely mounted

It's essential for installation to order the correct screws/bolts depending on type of wall:

- 2 x Mounting-Set 2 (item no. 34991000100) or
- 2 x Mounting-Set 5 (item no. 34991000200) or
- 2 x Mounting-Set 8 (item no. 34994000200) or
- 1 x Mounting-Set 10 (item no. 34996000100)

Please order separately!