

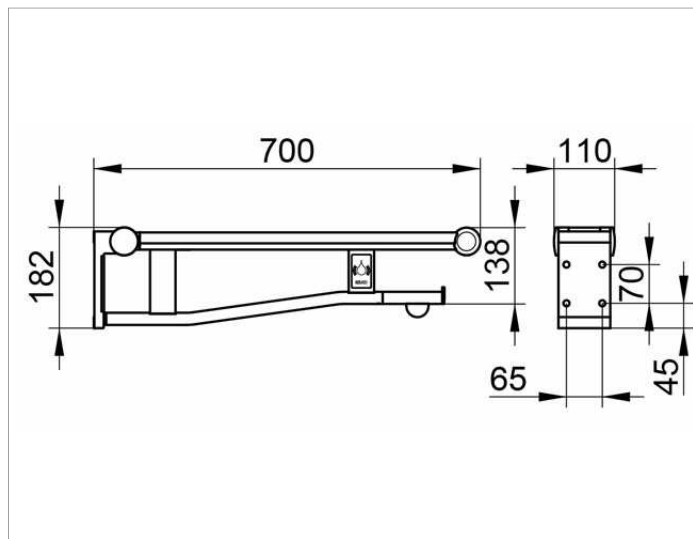
Plan Care

34903012737 Drop down supporting rail for WC

PRODUCT



DRAWING



PRODUCT ATTRIBUTES

left hand model
 with integrated radio-controlled flush switch,
 complete with membrane keypad and battery power
 (SL-360 LTC battery) fits with:
 Geberit:
 115.867.SN.5, 115.869.SN.5, 115.897.00.1, 115.898.00.1
 Grohe: 38 759 SD0
 Sanit: 03.082.00..0000, 03.582.00..0000
 Tece: 9.240.354, 9.240.355
 Viega: 696 177
 lift up arm, cushioned model,
 support area with plastic covering,
 with removable toilet paper holder (with roll brake)

SURFACE

chrome-plated/dark grey (RAL 7021)

DIMENSION

700 mm

SPECIFICATIONS

KEUCO PLAN Pivoted supporting rail for WC 34903012737
 High shine chrome-plate pivoted supporting rail for WC
 left hand model with integrated radio-controlled flush switch
 complete with membrane keypad and battery power
 (SL-360 LTC battery) fits with:
 Geberit:
 115.867.SN.5, 115.869.SN.5, 115.897.00.1, 115.898.00.1
 Grohe:
 38 759 SD0
 Sanit:
 03,082,00,,0000, 03,582,00,,0000
 Tece:
 9,240,354, 9,240,355
 Viega:
 611 965
 handle folds upward, cushioned model,
 support area with plastic covering,
 dark-grey (RAL 7021)
 with removable toilet paper holder (with roll brake)
 anti-static
 Width Surface area with anti-slip,
 elegant,
 tactile and optical contrasting Handle
 Underneath as Hand towel holder useable
 Projection 700 mm
 Width Wall plate 110 mm,
 Height Wall plate 182 mm
 Load capacity up to 100 kg
 The Handle is Type approved
 Wall support grip will be at 4 places discretely mounted

It's essential for installation to order the correct
 screws/bolts depending on type of wall:

2 x Mounting-Set 2 (item no. 34991000100) or
 2 x Mounting-Set 5 (item no. 34991000200) or
 2 x Mounting-Set 8 (item no. 34994000200) or
 1 x Mounting-Set 10 (item no. 34996000100)

Please order separately!