

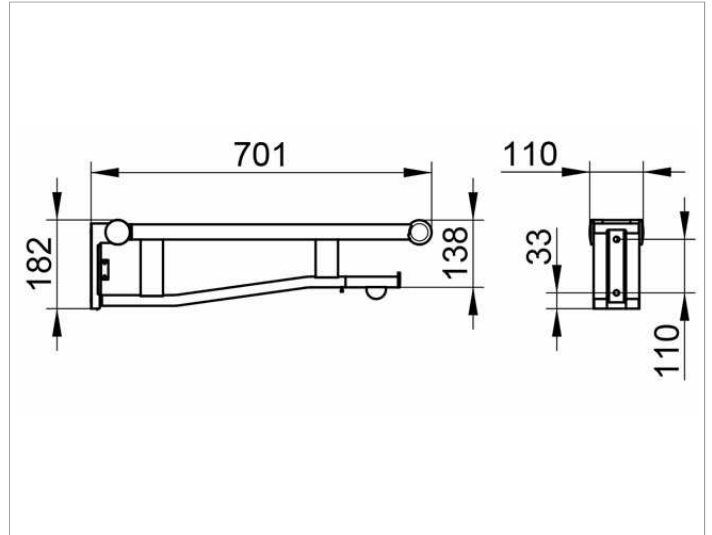
Plan Care

34903013737 Drop down supporting rail for WC

PRODUCT



DRAWING



PRODUCT ATTRIBUTES

removable, with synthetic covered support,
movable to vertical position,
with removable toilet paper holder (with roll brake)

SURFACE

chrome-plated/dark grey (RAL 7021)

DIMENSION

700 mm