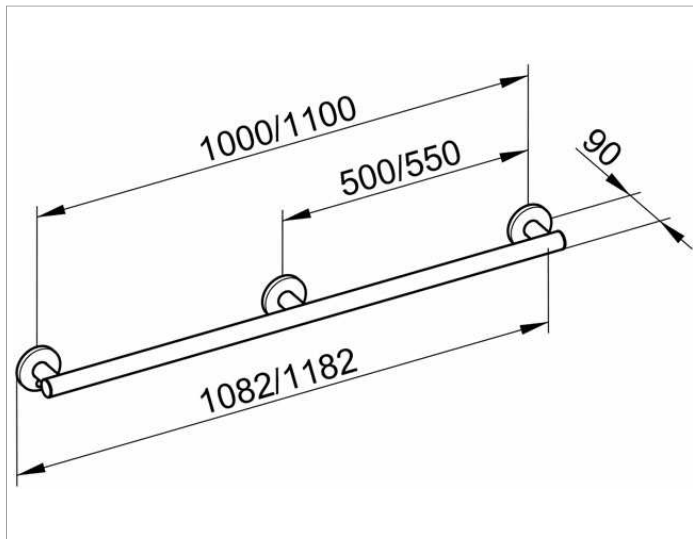


Plan Care
34901011100 Grab bar

PRODUCT



DRAWING



PRODUCT ATTRIBUTES

for horizontal or vertical installation

SURFACE

chrome-plated

DIMENSION

1182 mm

SPECIFICATIONS

KEUCO PLAN CARE grab rail
 34901011100
 High shine chrome-plate grab rail
 in esthetic, practical and ergonomic Design
 For horizontal or vertical Fitting up to 115 kg load capacity,
 anti-static,
 easy to clean
 Pipe diameter 33 mm,
 Rosette Diameter 82 mm
 Base measurement 1100 mm,
 with a Total Width of 1182 mm
 Projection 90 mm,
 Wall distance 57 mm
 The Support handle will be at 6 places discretely mounted,
 The Handle is TUEV-GS tested

The 1100 mm long model are provided
 With a third wall mounting set (in the middle)

Included in delivery:
 mounting set 1 /Art. no. 34990 000100)
 each 1 x per wall mounting set

Further mounting sets (depending on type of wall)
 mounting set 4 (Art. no. 34990 000200), or
 mounting set 7 (Art. no. 34993 000200)
 Please order additionally
 (each 1 x per wall mounting set)