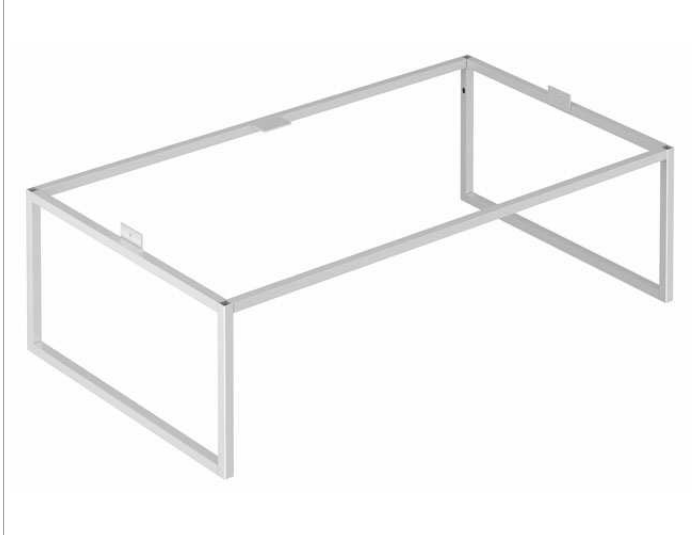
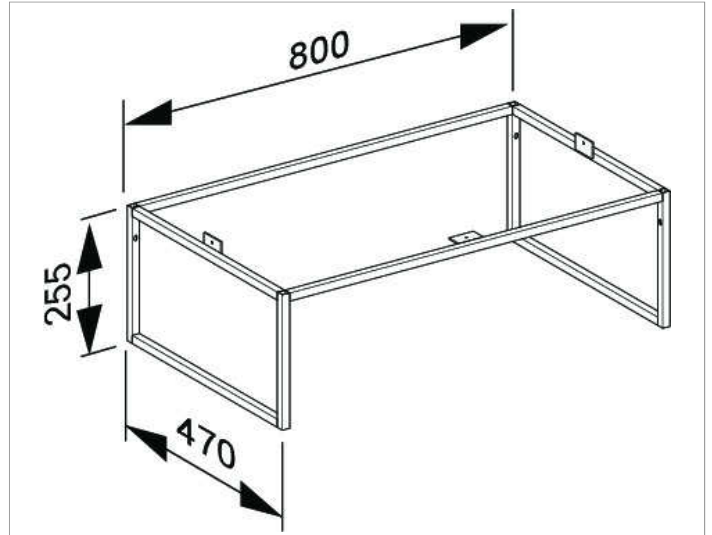


Plan  
32998ZZ0003 Base support

**PRODUCT**



**DRAWING**



**PRODUCT ATTRIBUTES**

Steel frame lacquered,  
with integrated height compensation (+/- 5 mm),  
suitable for vanity unit article no. 32962  
and sideboard article no. 32926

**SURFACE**

11, 14, 18, 29, 30

**DIMENSION**

800 x 255 x 470