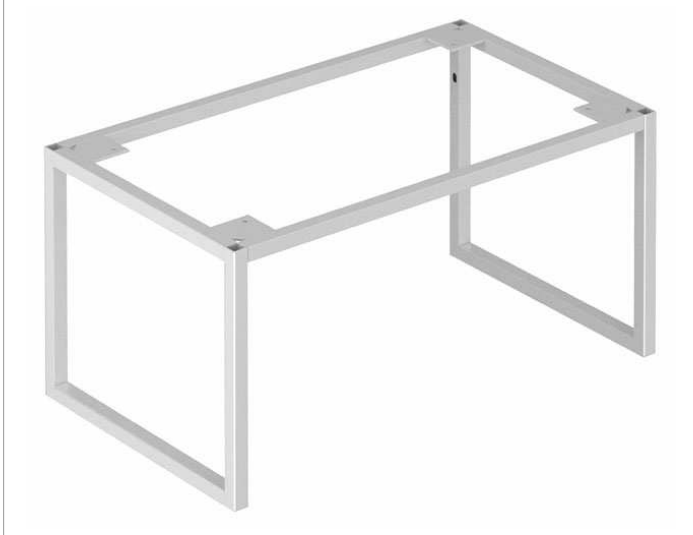
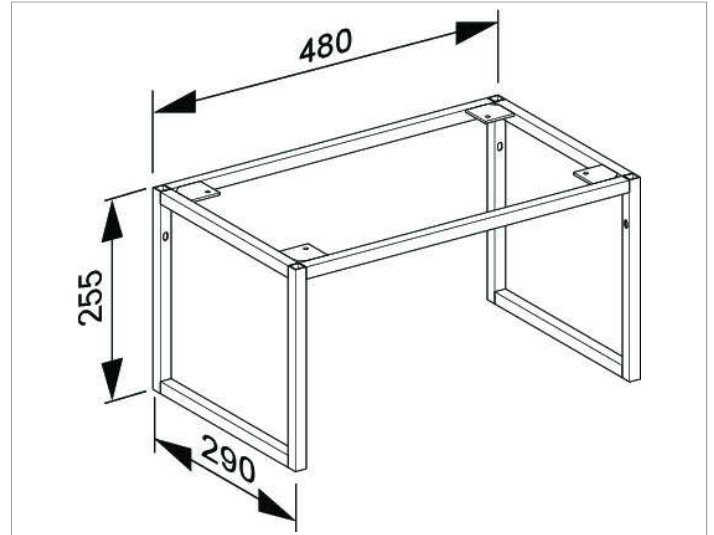


**Plan**  
**32998ZZ0006 Base support**

**PRODUCT**



**DRAWING**



**PRODUCT ATTRIBUTES**

Steel frame lacquered,  
with integrated height compensation (+/- 5 mm),  
suitable for tall unit article no. 32930, 32931, 32932

**SURFACE**

11, 14, 18, 29, 30

**DIMENSION**

480 x 255 x 290