

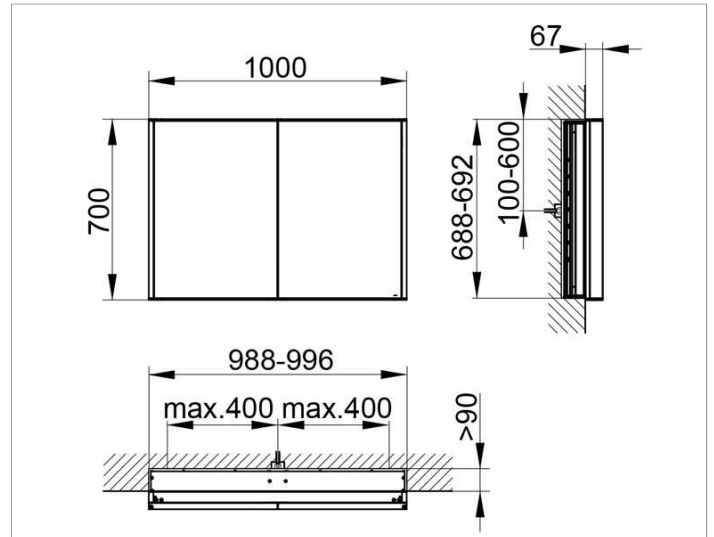
**Royal Match**

12813171331 Mirror cabinet

**PRODUCT**



**DRAWING**



**PRODUCT ATTRIBUTES**

for recessed installation  
 2 hinged double sided crystal mirror doors,  
 body in aluminium silver anodized,  
 rear panel in back-lacquered white glass  
 Operation:  
 control panel with capacitive touch sensor,  
 optional to be operated via the light switch  
 Illumination:  
 LED 2 x 12,5 watt (lifespan > 30.000 hours),  
 light colour 3000 kelvin (warm white),  
 infinitely dimmable, lamps non-exchangeable  
 EEK: A++, A+, A , 25 kWh/1000h

**EQUIPMENT**

- 1 shaver socket (internal)
- 2 x 3 adjustable glass shelves
- interior lighting

**SURFACE**

silver anodized

**DIMENSION**

1000 x 700 x 150 mm