


HANDWASHBASIN ARCHITECTURA

PRODUCT INFORMATION

1 . POSITION



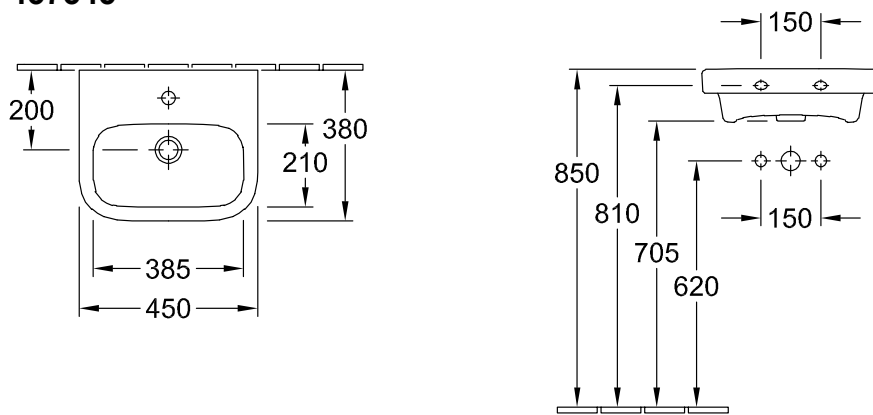
| | |
|-------------------------------|--|
| Model | 437345 |
| Collection | Architectura |
| PROJECTS |  PLUS |
| Width | 450 mm |
| Depth | 380 mm |
| Weight | 12 kg |
| description | Sanitary porcelain Also available in CeramicPlus |
| Tap fitting / Tap hole remark | suitable for 1-hole tap fittings, tap hole punched out |
| Overflow remark | with overflow |
| material | Sanitary porcelain |
| Specification texts | Architectura; Handwashbasin; Sanitary porcelain; Size: 450 x 380 mm; Angular; suitable for 1-hole tap fittings, tap hole punched out; with overflow |

COLOURS

| | | |
|-------------------------|----------|---------------|
| White Alpin | 43734501 | 4051202342586 |
| White Alpin CeramicPlus | 437345R1 | 4051202342593 |
| White Alpin AntiBac | 437345T1 | 4051202467357 |

TECHNICAL DRAWINGS

437345



TECHNICAL DRAWINGS

437345

