

HANDWASHBASIN AVENTO

PRODUCT INFORMATION

1 . POSITION



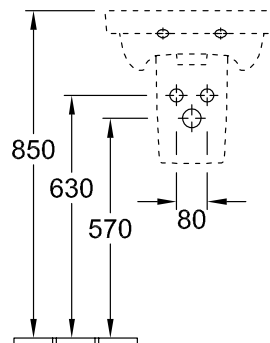
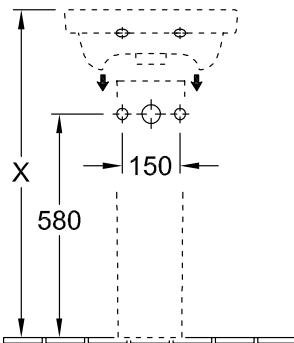
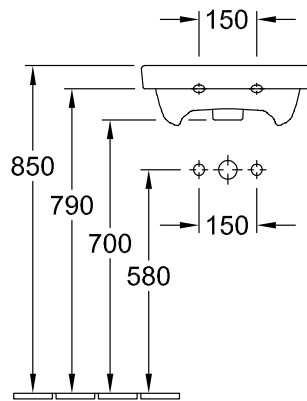
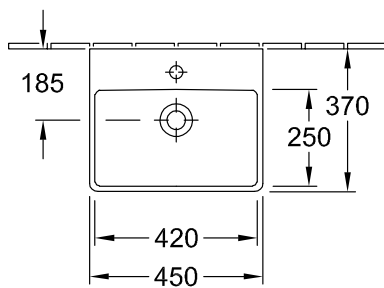
Model	735845
Collection	Avento
PROJECTS	DESIGN
Width	450 mm
Depth	370 mm
Weight	10,4 kg
description	Sanitary porcelain Also available in CeramicPlus
Tap fitting / Tap hole remark	suitable for 1-hole tap fittings, tap hole punched out
Overflow remark	with overflow
material	Sanitary porcelain
Specification texts	Avento; Handwashbasin; Sanitary porcelain; Size: 450 x 370 mm; Angular; suitable for 1-hole tap fittings, tap hole punched out; with overflow

COLOURS

White Alpin	73584501	4051202382148
White Alpin CeramicPlus	735845R1	4051202382155

TECHNICAL DRAWINGS

735845



TECHNICAL DRAWINGS

735845

