


VANITY WASHBASIN FINION

PRODUCT INFORMATION

1. POSITION



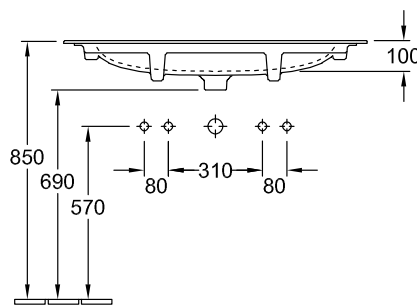
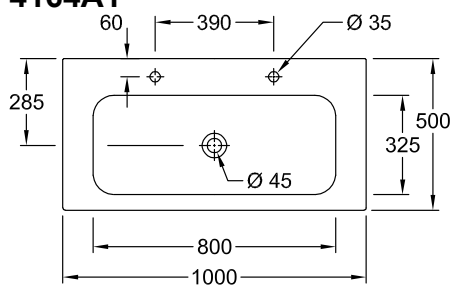
Model	4164A1
Collection	Finion
PROJECTS	 PREMIUM
Width	1000 mm
Depth	500 mm
Weight	21,1 kg
description	TitanCeram CeramicPlus incl. unclosable valve with ceramic valve cover
Tap fitting / Tap hole remark	suitable for 2 1-hole tap fittings, tap holes punched out
Overflow remark	without overflow
material	TitanCeram
Specification texts	Finion; Vanity washbasin; TitanCeram; Size: 1000 x 500 mm; Angular; suitable for 2 1-hole tap fittings, tap holes punched out; without overflow; incl. unclosable valve with ceramic valve cover

COLOURS

White Alpin CeramicPlus	4164A1R1	4051202727987
Star White CeramicPlus	4164A1R2	4051202727994
Stone White CeramicPlus	4164A1RW	4051202842529

TECHNICAL DRAWINGS

4164A1



TECHNICAL DRAWINGS

4164A1

