


# MIRROR HOMMAGE

## PRODUCT INFORMATION

### 1 . POSITION



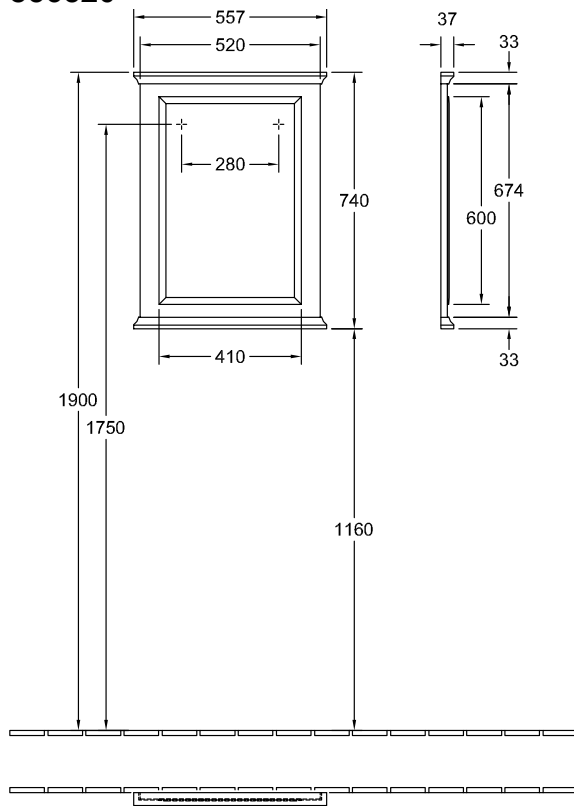
<b>Model</b>	<b>856520</b>
Collection	Hommage
PROJECTS	 PREMIUM
Width	560 mm
Height	740 mm
Weight	9,7 kg
description	Glass fastening set included
material	Glass
Specification texts	Hommage; Mirror; Glass; Size: 560 x 740 mm; fastening set included

## COLOURS

85652000 4051202491611

TECHNICAL DRAWINGS

856520



TECHNICAL DRAWINGS

856520

