

# MIRROR HOMMAGE

## PRODUCT INFORMATION

### 1 . POSITION



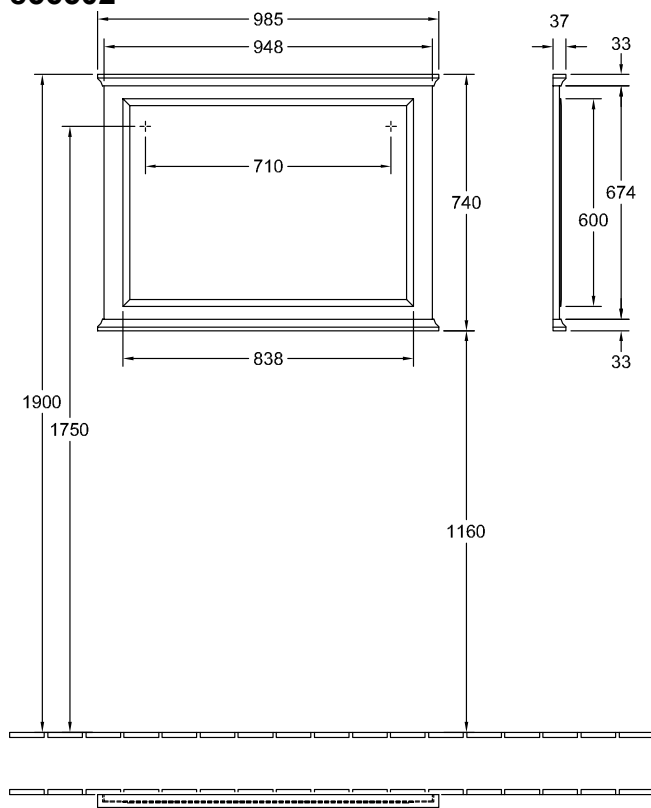
<b>Model</b>	<b>856502</b>
Collection	Hommage
PROJECTS	 PREMIUM
Width	985 mm
Height	740 mm
Weight	12 kg
description	Glass fastening set included
material	Glass
Specification texts	Hommage; Mirror; Glass; Size: 985 x 740 mm; fastening set included

## COLOURS

85650200 4051202491635

TECHNICAL DRAWINGS

856502



TECHNICAL DRAWINGS

856502

