

MIRROR HOMMAGE

PRODUCT INFORMATION

1 . POSITION



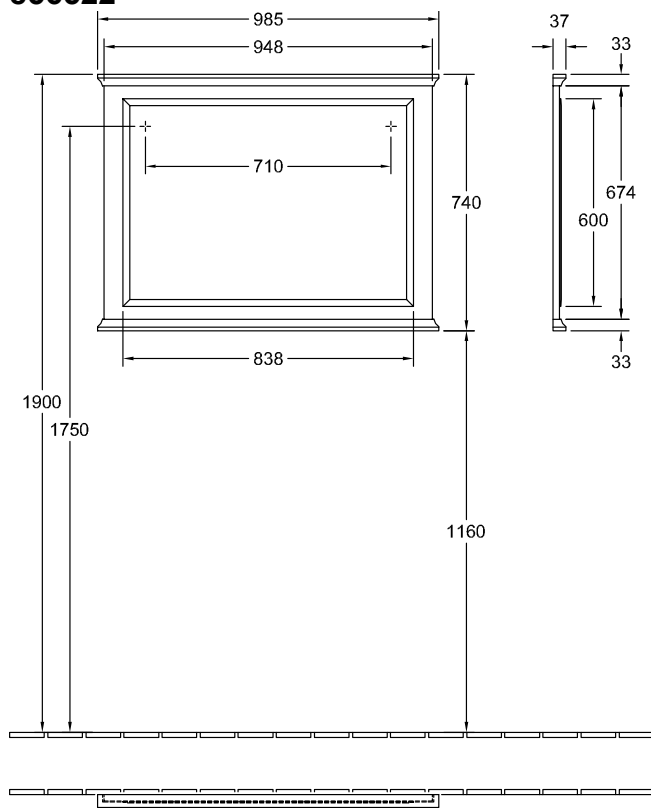
| | |
|---------------------|---|
| Model | 856522 |
| Collection | Hommage |
| PROJECTS |  PREMIUM |
| Width | 985 mm |
| Height | 740 mm |
| Weight | 12 kg |
| description | Glass fastening set included |
| material | Glass |
| Specification texts | Hommage; Mirror; Glass; Size: 985 x 740 mm; fastening set included |

COLOURS

85652200 4051202491604

TECHNICAL DRAWINGS

856522



TECHNICAL DRAWINGS

856522

