

BUILT-IN WASHBASIN LOOP & FRIENDS

PRODUCT INFORMATION

1. POSITION



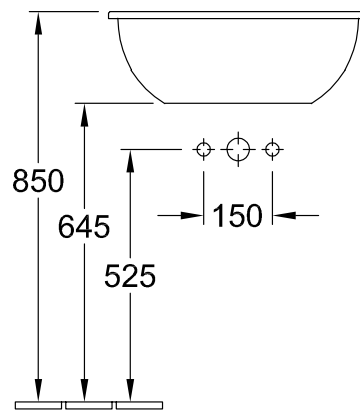
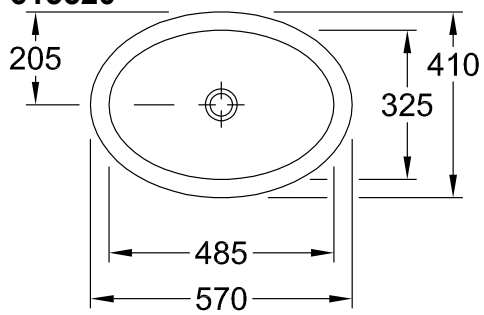
| | |
|-------------------------------|---|
| Model | 615520 |
| Collection | Loop & Friends |
| PROJECTS | DESIGN |
| Width | 570 mm |
| Depth | 410 mm |
| Weight | 11,35 kg |
| description | outside surface glazed Sanitary porcelain Also available in CeramicPlus incl. template, incl. extended ball rod for pop-up waste |
| Tap fitting / Tap hole remark | without tap hole area |
| Overflow remark | with overflow |
| material | Sanitary porcelain |
| Specification texts | Loop & Friends; Built-in washbasin; Sanitary porcelain; Size: 570 x 410 mm; Oval; outside surface glazed; without tap hole area; with overflow; incl. template, incl. extended ball rod for pop-up waste |

COLOURS

| | | |
|-------------------------|----------|---------------|
| White Alpin CeramicPlus | 615520R1 | 4022693605696 |
| Star White CeramicPlus | 615520R2 | 4022693605702 |
| Pergamon CeramicPlus | 615520R3 | 4022693605719 |
| White Alpin | 61552001 | 4022693605641 |

TECHNICAL DRAWINGS

615520



TECHNICAL DRAWINGS

615520

