

HANDWASHBASIN SUBWAY 2.0

PRODUCT INFORMATION

1. POSITION



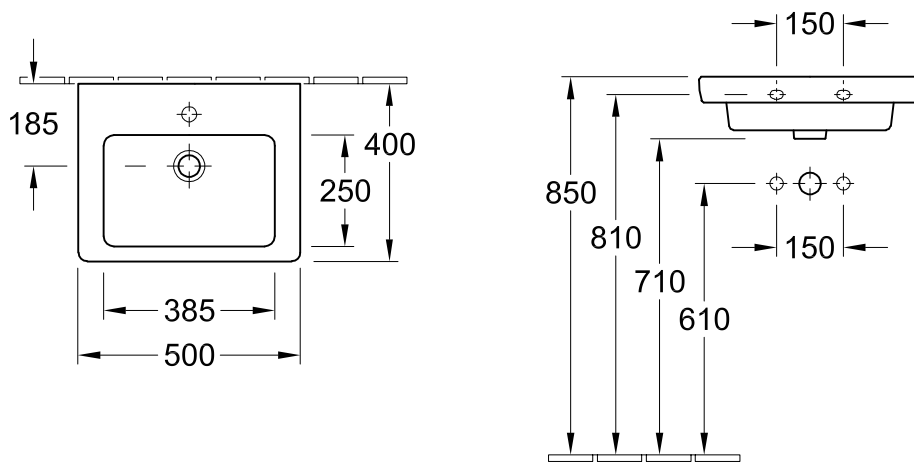
Model	73155G
Collection	Subway 2.0
PROJECTS	DESIGN
Width	500 mm
Depth	400 mm
Weight	12,6 kg
description	ground underside Sanitary porcelain Also available in CeramicPlus wall fixation fastening with 2 screws M10x120 mm incl. template
Tap fitting / Tap hole remark	suitable for 1-hole tap fittings, tap hole punched out
Overflow remark	with overflow
material	Sanitary porcelain
Specification texts	Subway 2.0; Handwashbasin; Sanitary porcelain; Size: 500 x 400 mm; Angular; ground underside; suitable for 1-hole tap fittings, tap hole punched out; with overflow; wall fixation; fastening with 2 screws M10x120 mm; incl. template

COLOURS

White Alpin	73155G01	4047289995241
White Alpin CeramicPlus	73155GR1	4047289995258

TECHNICAL DRAWINGS

73155G



TECHNICAL DRAWINGS

73155G

