

VANITY WASHBASIN SUBWAY 2.0

PRODUCT INFORMATION

1 . POSITION



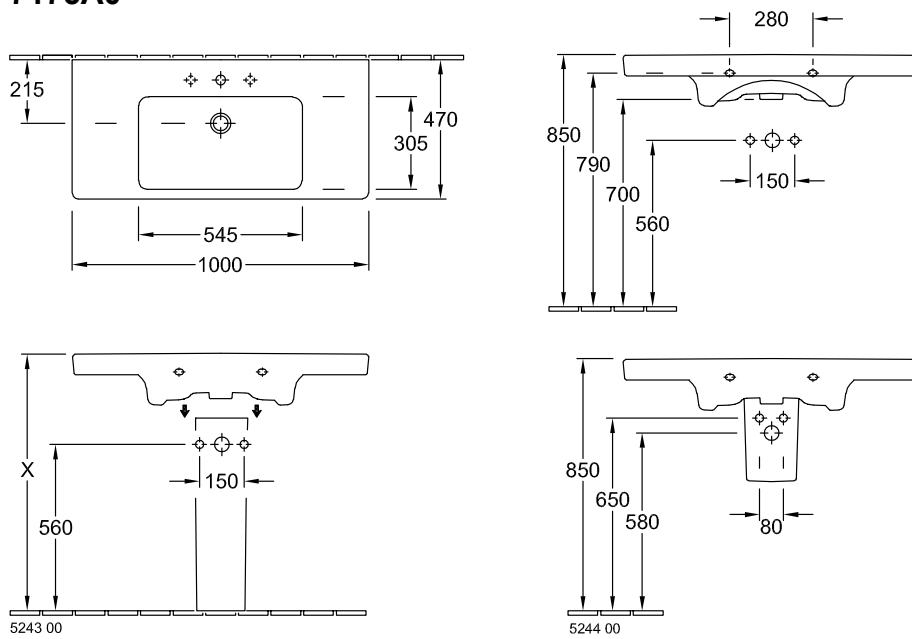
Model	7175A0
Collection	Subway 2.0
PROJECTS	DESIGN
Width	1000 mm
Depth	470 mm
Weight	25,9 kg
description	Sanitary porcelain Also available in CeramicPlus wall fixation fastening with 2 screws M10x120 mm
Tap fitting / Tap hole remark	suitable for 3-hole tap fittings, central tap hole punched out
Overflow remark	with overflow
material	Sanitary porcelain
Specification texts	Subway 2.0; Vanity washbasin; Sanitary porcelain; Size: 1000 x 470 mm; Angular; suitable for 3-hole tap fittings, central tap hole punched out; with overflow; wall fixation; fastening with 2 screws M10x120 mm

COLOURS

Star White CeramicPlus	7175A0R2	4047289986829
Pergamon CeramicPlus	7175A0R3	4047289986836
White Alpin	7175A001	4047289986805
White Alpin CeramicPlus	7175A0R1	4047289986812

TECHNICAL DRAWINGS

7175A0



TECHNICAL DRAWINGS

7175A0

